



POWER ELECTRONIC FILM CAPACITORS



Vishayd Semiconductor Co.,Ltd

No 945-947, 9th Floor, No 2,
Lane 1518, Jinshaiang Road
Putuo District, Shanghai, China

Tel/Fax: +86 21 336 346 49
E-mail: info@vahnder.com
Website: vahnder.com



PRODUCT SELECTION GUIDE

Ultra-High Voltage Capacitor (超高压电容器)	
FC21 Series	1
High Voltage Pulse Capacitor (高压脉冲电容器)	
FC22 Series	3
DC-Link Capacitor (直流滤波电容器)	
FC31 Series	4
FC33 Series	7
FC34 Series	17
FC36 Series	23
FC38 Series	26
AC Filter Capacitor (交流滤波电容器)	
FC51 Series (Three phase)	29
FC52 Series (Three phase)	31
FC53 Series (Single phase)	33
FC54 Series (Single phase)	36
Power Resonance Capacitor (谐振电容器)	
FC55 Series	39
FC56 Series	41
IGBT Snubber Capacitor (IGBT 吸收保护电容器)	
FC86 Series	47
FC88 Lug Series	54
FC88 PCB Series	59
Thyristor / GTO / IGCT Snubber Capacitor (阻尼吸收保护电容器)	
FC62 Series	44
FC98 Series	65
DC-Link Film Capacitor(新能源汽车直流电容器)	
FCHEV Series	68

Cn: Rated Capacitance at 20° C / 1KHz .

Un: Rated (repetitive peak) voltage.

Urms: Rated rms ripple voltage.

Us: Surge (not repetitive) peak voltage.

UTT: Test voltage between both terminals.

UTC: Test voltage between terminals with case.

Irms max: Maximum rms current value for continuous operation.

I peak: Maximum permitted repetitive current amplitude during continuous operation

$$I_{peak} = C \cdot dv/dt.$$

Rs: Series resistance representing the sum of all ohmic resistances in the capacitor.

ESR: Equivalent Series Resistance defined as $ESR = R_s + tg \delta_0 / (2 \pi f * C)$.

tg δ0: Dielectric dissipation factor. Typical value for polypropylene is $2 * 10^{-4}$

tg δ: Dissipation factor calculated as follows: $tg \delta_0 + 2 \pi f * C * R_s$.

dv/dt: Maximum slope of the voltage waveform.

Ls: Self-inductance of the capacitor.

ESL: Equivalent Series Inductance.

Clearance: Shortest distance in air between terminals conducting parts

or between terminal and case

Creepage: Shortest distance along an insulated surface between terminals

Conducting parts or between terminal and case

High Voltage Capacitor for High Voltage , Laser , medical power supply

❖ Technical Datasheet

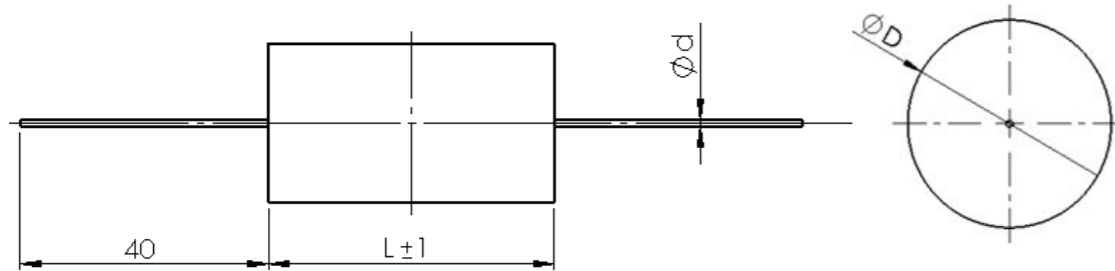
❖ 产品简介 (General Description)

引用标准 (Standard Reference)	IEC 60384-1 , GB/T 2693
气候类别 (Climatic Category)	40 / 85 / 21
介质材料 (Dielectric Material)	金属化聚丙烯膜 (Self-Healing Metallized Polypropylene)
外壳类型 (Case Type)	胶带封装 (Polyester tape, Resin filled, UL94V-0)
引出电极类型 (Terminals Type)	镀锡铜线或螺母 (Tinned copper wire or Female Screw)
电容量范围 (Capacitance Range)	Cn: 100pF ~ 20.0μF (1kHz , 20°C)
电容量偏差 (Capacitance Tolerance)	J (±5%), K (±10%)
介质损耗角正切值 (Dissipation Factor)	Dielectric Dissipation Factor (tg δ ₀): 0.0002 (1kHz , 20°C)
绝缘电阻 (Insulation Resistance)	IR x Cn : ≥10000s (100Vdc, 60s, 20°C)
额定电压 (Rated Voltage)	Un : 3KVDC ~ 100KVDC
极间电压 (Test voltage U _{TT})	U _{TT} : 1.4Un (10s , 20°C) -Test voltage between both terminals
工作温度 (Operating Temperature)	- 40°C ~ 85°C (Case)
产品应用 (Applications)	High Voltage Charg & discharge , High voltage medical ,laser power

❖ 外形图 (Outline Drawing)

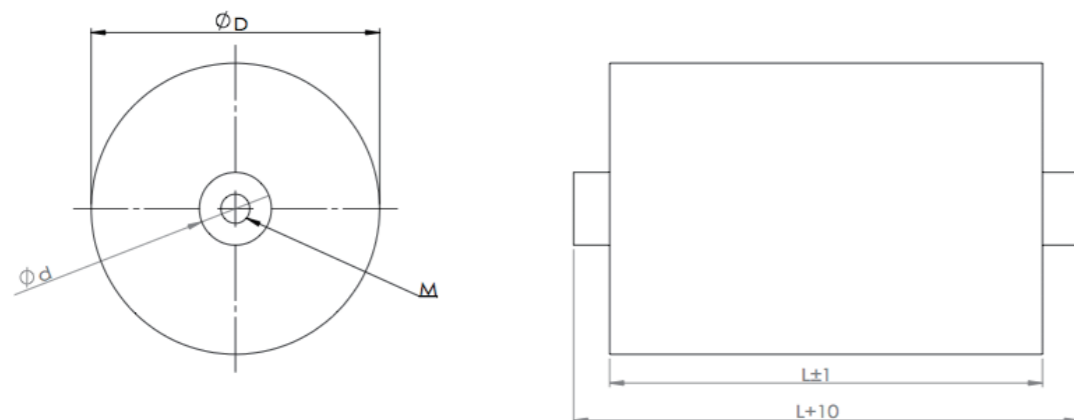
Unit: mm

Style A : Round , Tinned Copper wire



Unit: mm

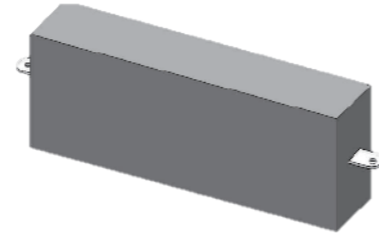
Style B : Round , M6 or M8 Female Screw



Part Number	Cn	Un	U _{TT}	dv/dt	I Peak	Dimension (mm)				
	μF	Vdc	Vdc	V/μs	Amps	Style	ΦD	L	Φd	M
Un 4000VDC										
FC21-105J4000A85	1.0	4000	5600	600	600	A	45	85	1.2	/
FC21-106J4000B160	10	4000	5600	300	3000	B	85	160	20	M8*10
FC21-206J4000B168	20	4000	5600	250	5000	B	135	168	20	M8*10
Un 8000VDC										
FC21-103J8000A48	0.01	8000	11200	4000	40	A	18	48	1.0	/
FC21-104J8000A85	0.1	8000	11200	2000	200	A	32	85	1.2	/
FC21-105J8000B135	1.0	8000	11200	1200	1200	B	65	135	15	M6*10
Un 10000VDC										
FC21-103J10000A46	0.01	10000	14000	10000	100	A	18	46	1.0	/
FC21-104J10000A72	0.1	10000	14000	5500	550	A	38	72	1.2	/
FC21-105J10000B145	1.0	10000	14000	2000	2000	B	78	145	20	M8*10
Un 15000VDC										
FC21-103J15000A72	0.01	15000	21000	12000	120	A	21	72	1.0	/
FC21-104J15000A118	0.1	15000	21000	3600	360	A	42	118	1.2	/
FC21-105J15000B168	1.0	15000	21000	1800	1800	B	105	168	20	M8*10
Un 20000VDC										
FC21-103J20000A105	0.01	20000	28000	15000	150	A	26	105	1.2	/
FC21-104J20000B150	0.1	20000	28000	5000	500	B	52	150	15	M6*10
FC21-105J20000B155	1.0	20000	28000	1500	1500	B	95	155	20	M8*10
Un 30000VDC										
FC21-103J30000A120	0.01	30000	42000	25000	250	A	30	120	1.2	/
FC21-104J30000B160	0.1	30000	42000	5000	500	B	56	160	15	M6*10
FC21-604J30000B160	0.6	30000	42000	3000	1800	B	128	160	20	M8*10
Un 40000VDC										
FC21-333J40000A130	0.033	40000	56000	10000	330	A	32	130	1.2	/
FC21-473J40000A130	0.047	40000	56000	10000	470	A	40	130	1.2	/
FC21-503J40000B135	0.05	40000	56000	10000	500	B	50	135	15	M6*10

❖ 产品简介 (General Description)

引用标准 (Standard Reference)	GB/T 4704-92
最高使用海拔 (Max . Altitude)	1000 m
介质材料 (Dielectric Material)	金属化聚丙烯膜 (Self-Healing Metallized Polypropylene)
外壳类型 (Case Type)	铝或不锈钢外壳 (Aluminum or Stainless Steel Case, Resin filled)
引出电极类型 (Terminals Type)	螺母, 螺杆或母排 (Female/Male screw or Flat Copper of terminals)
电容量范围 (Capacitance Range)	Cn: 0.01μF ~ 10000μF (1kHz , 20°C)
电容量偏差 (Capacitance Tolerance)	J (±5%), K(±10%)
介质损耗角正切值 (Dissipation Factor)	Dielectric Dissipation Factor (tg δ): 0.0002 (1kHz , 20°C)
绝缘电阻 (Insulation Resistance)	IR × Cn : ≥10000s (100Vdc, 60s, 20°C)
额定电压 (Rated Voltage)	Un : 1KVDC ~ 100KVDC
极间电压 (Test voltage U _{TT})	U _{TT} : 1.1~1.4Un (10s , 20°C) –Test voltage between both terminals
工作温度 (Operating Temperature)	-40°C ~ 50°C

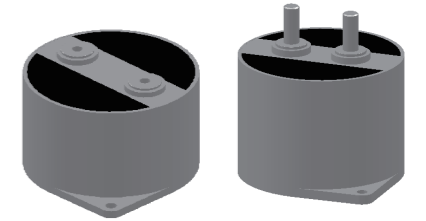


❖ 技术参数 (Technical Datasheet)

Part Number	Cn	Un	Wn	Dimension (mm)
	μF	Vdc	J	
FC22-5K-280	280	5000	3500	Outline size on request . Other spec. on request.
FC22-10K-1000	1000	10000	50000	
FC22-15K-600	600	15000	67500	
FC22-25K-45	45	25000	6250	
FC22-25K-110	110	25000	34375	
FC22-50K-10	10	50000	12500	

❖ 产品简介 (General Description)

引用标准 (Standard Reference)	IEC 61071 , GB/T 17702
气候类别 (Climatic Category)	40 / 105 / 56
最高使用海拔 (Max . Altitude)	2000 m
介质材料 (Dielectric Material)	金属化聚丙烯膜 (Self-Healing Metallized Polypropylene)
外壳类型 (Case Type)	塑料外壳 (Plastic Case, Resin filled, UL94V-0)
引出电极类型 (Terminals Type)	螺杆或螺母端子 (Male or Female screw terminals)
电容量范围 (Capacitance Range)	Cn: 5μF ~ 600μF (1kHz , 20°C)
电容量偏差 (Capacitance Tolerance)	J (±5%), K(±10%)
介质损耗角正切值 (Dissipation Factor)	Dielectric Dissipation Factor (tg δ): 0.0002 (1kHz , 20°C)
绝缘电阻 (Insulation Resistance)	IR × Cn : ≥10000s (100Vdc, 60s, 20°C)
额定电压 (Rated Voltage)	Un : 300VDC ~ 4000VDC
极间电压 (Test voltage U _{TT})	U _{TT} : 1.5Un (10s , 20°C) –Test voltage between both terminals
极壳电压 (Test voltage U _{TC})	U _{TC} : 4000Vac (10s , 20°C) –Test voltage between terminals with case
过电压能力 (Maximum Over Voltage)	1.1 × Un : 30% of on-load duration 1.15 × Un : 30 min/day 1.2 × Un : 5 min/day 1.3 × Un : 1 min/day 1.5 × Un : 30 ms/time, 1000 times during the life of the capacitor
工作温度 (Operating Temperature)	-40°C ~ 105°C [θ _{max} (hotspot)≤105°C] θ _{hotspot} =85°C~105°C:decreasing factor 2.0% per°C for Un (dc)
工作寿命 (Operation Life Time)	100,000 hours (Un , 70°C)
电极扭矩 (Max. Torque of terminals)	M6 Female screw: 3.5 Nm , M8 Male screw: 6.5 Nm
安装扭矩 (Max. Torque of installation)	Installation hole(2-Φ5.5) : 3.5 Nm
产品应用 (Applications)	Wind/Traction Inverter , EV/HEV Inverter , High frequency power



❖ 产品编码定义 (Part Number System)

EX: FC31-107K800B51

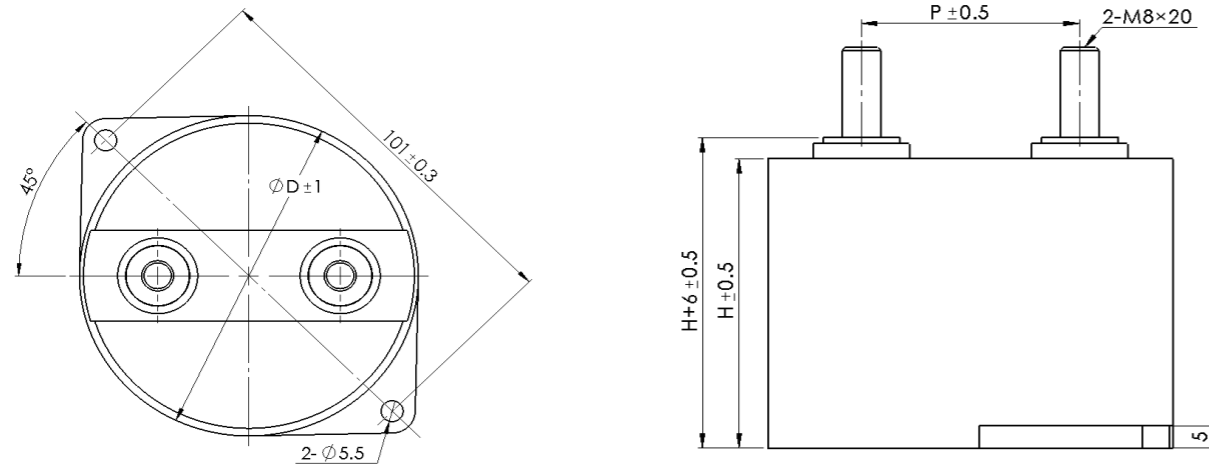
FC31	-	107	K	800	#	51
⋮		⋮	⋮	⋮	⋮	⋮
Series		Capacitance	Tolerance	Voltage	Style	H
		106=10.0μF	J=±5%	VDC	A=M8 Male	Height
		107=100.0μF	K=±10%		B=M6 Female	

Dimension

❖ Technical Datasheet

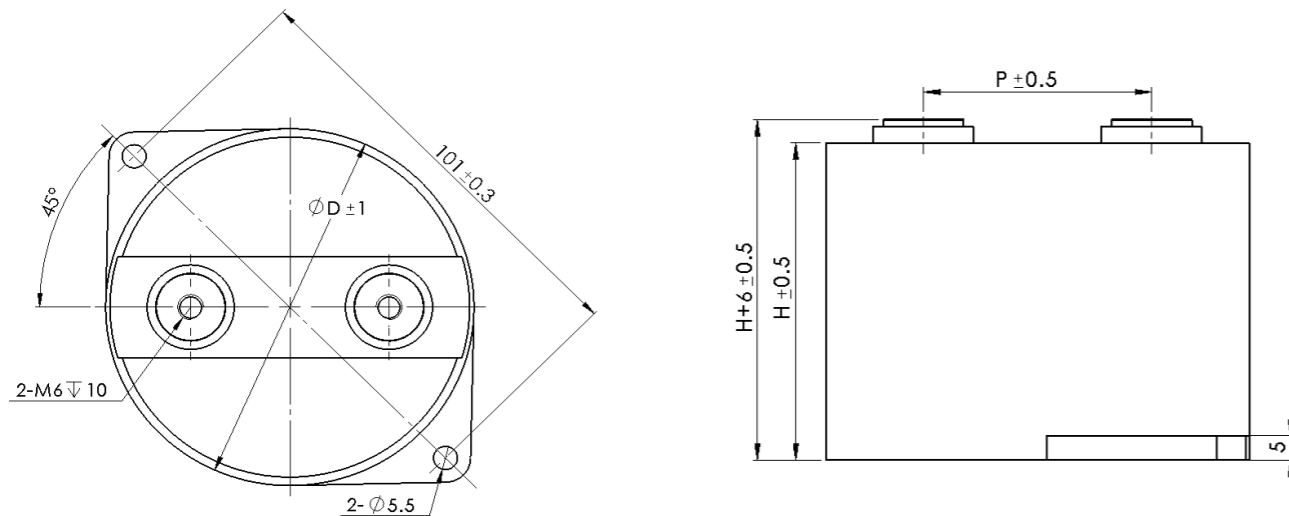
Style A : Male Screw (Output : M8)

Unit: mm



Style B: Female Screw (Output : M6)

Unit: mm



❖ 技术参数 (Technical Datasheet)

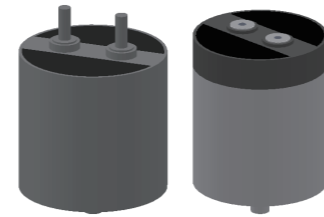
Part Number	Cn	Un	UTT	UTC	ESL	ESR	Irms	dv/dt	I peak	Dimension (mm)		
	μF	Vdc	Vdc	Vac	nH	mΩ	Max.	V/μs	Amps	ΦD	H	P
Un : 450VDC												
FC31-177K450#40	170	450	675	4000	25	0.8	98A	25	4250	85	40	45
FC31-267K450#51	260	450	675	4000	35	0.9	92A	20	5200	85	51	45
FC31-387K450#65	380	450	675	4000	40	1.0	88A	15	5700	85	65	45
FC31-487K450#75	480	450	675	4000	45	1.1	85A	10	4800	85	75	45
Un : 500VDC												
FC31-137K500#40	130	500	750	4000	25	0.8	90A	28	3640	85	40	45
FC31-207K500#51	200	500	750	4000	35	0.9	88A	22	4400	85	51	45
FC31-287K500#65	280	500	750	4000	40	1.2	85A	18	5040	85	65	45
FC31-357K500#75	350	500	750	4000	45	1.3	80A	12	4200	85	75	45

Part Number	Cn	Un	UTT	UTC	ESL	ESR	Irms	dv/dt	I peak	Dimension (mm)		
	μF	Vdc	Vdc	Vac	nH	mΩ	Max.	V/μs	Amps	ΦD	H	P
Un : 600VDC												
FC31-107K600#40	100	600	900	4000	25	0.8	90A	30	3000	85	40	45
FC31-157K600#51	150	600	900	4000	35	0.9	85A	25	3750	85	51	45
FC31-227K600#65	220	600	900	4000	40	1.2	90A	20	4400	85	65	45
FC31-267K600#65	260	600	900	4000	40	1.3	85A	20	5200	85	65	45
FC31-307K600#75	300	600	900	4000	45	1.4	80A	15	4500	85	75	45
Un : 800VDC												
FC31-686K800#40	68	800	1200	4000	25	0.8	90A	35	2380	85	40	45
FC31-107K800#51	100	800	1200	4000	35	1.0	85A	30	3000	85	51	45
FC31-147K800#65	140	800	1200	4000	40	1.3	80A	25	3500	85	65	45
FC31-207K800#75	200	800	1200	4000	45	1.5	78A	20	4000	85	75	45
Un : 1000VDC												
FC31-476K1000#40	47	1000	1500	4000	25	1.0	75A	40	1880	85	40	45
FC31-686K1000#51	68	1000	1500	4000	35	1.3	70A	35	2380	85	51	45
FC31-107K1000#65	100	1000	1500	4000	40	1.5	65A	30	3000	85	65	45
FC31-137K1000#75	130	1000	1500	4000	45	2.0	60A	25	3250	85	75	45
Un : 1200VDC												
FC31-256K1200#40	25	1200	1800	4000	25	1.0	65A	50	1250	85	40	45
FC31-356K1200#51	35	1200	1800	4000	35	1.3	60A	45	1575	85	51	45
FC31-556K1200#65	55	1200	1800	4000	40	1.8	55A	40	2200	85	65	45
FC31-706K1200#75	70	1200	1800	4000	45	2.0	50A	35	2450	85	75	45
Un : 1500VDC												
FC31-186K1500#40	18	1500	2250	4000	25	1.2	60A	65	1170	85	40	45
FC31-256K1500#51	25	1500	2250	4000	35	1.5	55A	60	1500	85	51	45
FC31-356K1500#65	35	1500	2250	4000	40	2.0	50A	55	1925	85	65	45
FC31-456K1500#75	45	1500	2250	4000	45	2.3	45A	40	1800	85	75	45
Un : 1800VDC												
FC31-106K1800#40	10	1800	2700	4000	25	1.4	55A	85	850	85	40	45
FC31-156K1800#51	15	1800	2700	4000	35	1.8	52A	80	1200	85	51	45
FC31-256K1800#65	25	1800	2700	4000	40	2.2	48A	75	1875	85	65	45
FC31-356K1800#75	35	1800	2700	4000	45	2.8	45A	70	2450	85	75	45
Un : 2200VDC												
FC31-685K2200#40	6.8	2200	3300	4000	25	1.5	50A	100	680	85	40	45
FC31-106K2200#51	10	2200	3300	4000	35	2.0	48A	95	950	85	51	45
FC31-156K2200#65	15	2200	3300	4000	40	2.8	45A	90	1350	85	65	45
FC31-206K2200#75	20	2200	3300	4000	45	3.2	40A	85	1700	85	75	45

First Film to Replace Screw Electrolytic or Oil-filled Power Capacitor

Terminal Style A : M8 Male Screw; Mounting Style S: M12 ×16 or M16 ×25(ΦD=126,136)

❖ 产品简介 (General Description)

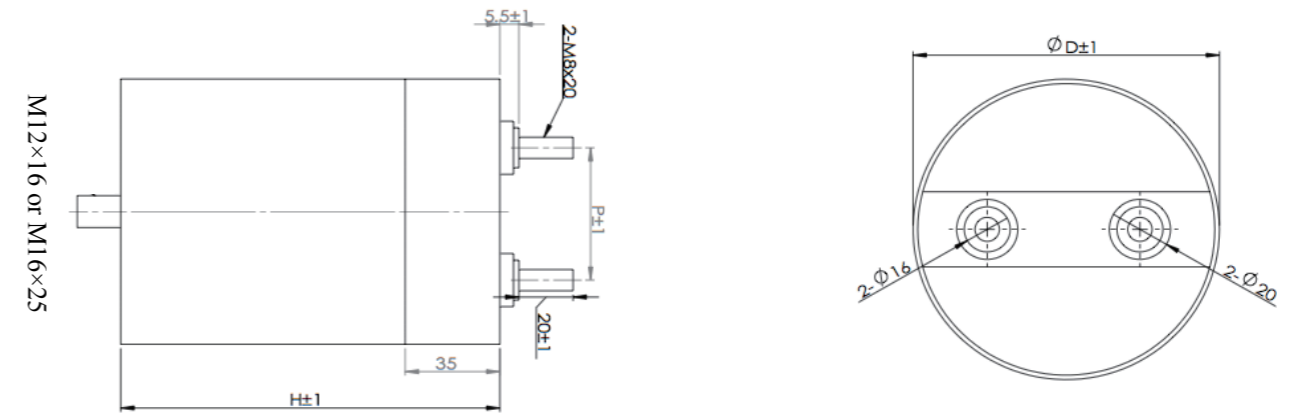


引用标准 (Standard Reference)	IEC 61071 , GB/T 17702
气候类别 (Climatic Category)	40 / 85 / 56
最高使用海拔 (Max . Altitude)	2000 m
介质材料 (Dielectric Material)	金属化聚丙烯膜 (Self-Healing Metallized Polypropylene)
外壳类型 (Case Type)	铝外壳 (Aluminum Case, Resin filled, UL94V-0,PVC Tube on request)
引出电极类型 (Terminals Type)	螺杆或螺母端子 (Male or Female screw terminals)
电容量范围 (Capacitance Range)	Cn: 5μF ~ 5000μF
电容量偏差 (Capacitance Tolerance)	J (±5%), K(±10%)
介质损耗角正切值 (Dissipation Factor)	Dielectric Dissipation Factor (tg δ ₀): 0.0002 (1kHz , 20℃)
绝缘电阻 (Insulation Resistance)	IR × Cn : ≥ 10000s (100Vdc, 60s, 20℃)
额定电压 (Rated Voltage)	Un : 300VDC ~ 4000VDC
极间电压 (Test voltage U _{TT})	U _{TT} : 1.5Un (10s , 20℃) -Test voltage between both terminals
极壳电压 (Test voltage U _{TC})	U _{TC} : 4000Vac (10s , 20℃) -Test voltage between terminals with case
	1.1 × Un : 30% of on-load duration
	1.15 × Un : 30 min/day
过电压能力 (Maximum Over Voltage)	1.2 × Un : 5 min/day
	1.3 × Un : 1 min/day
	1.5 × Un : 30 ms/time, 1000 times during the life of the capacitor
工作温度 (Operating Temperature)	-40℃ ~ 70℃
储存温度 (Storage Temperature)	-40℃ ~ 85℃
工作寿命 (Operation Life Time)	100,000 hours (Un , 70℃)
电极扭矩 (Max. Torque of terminals)	M6 Female screw: 5 Nm , M8 Male screw: 6.5 Nm
安装扭矩 (Max. Torque of installation)	M12 / M16 Stud mounting : 10 Nm
产品应用 (Applications)	Wind/Solar Inverter , SVG ,APF, High frequency power supply

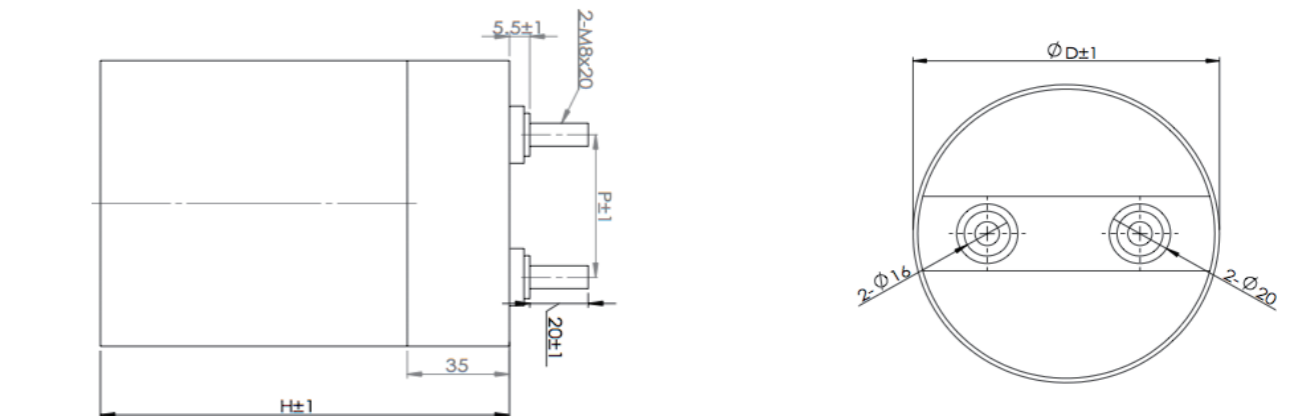
❖ 产品编码定义 (Part Number System)

EX: FC33-657K800B145SPA

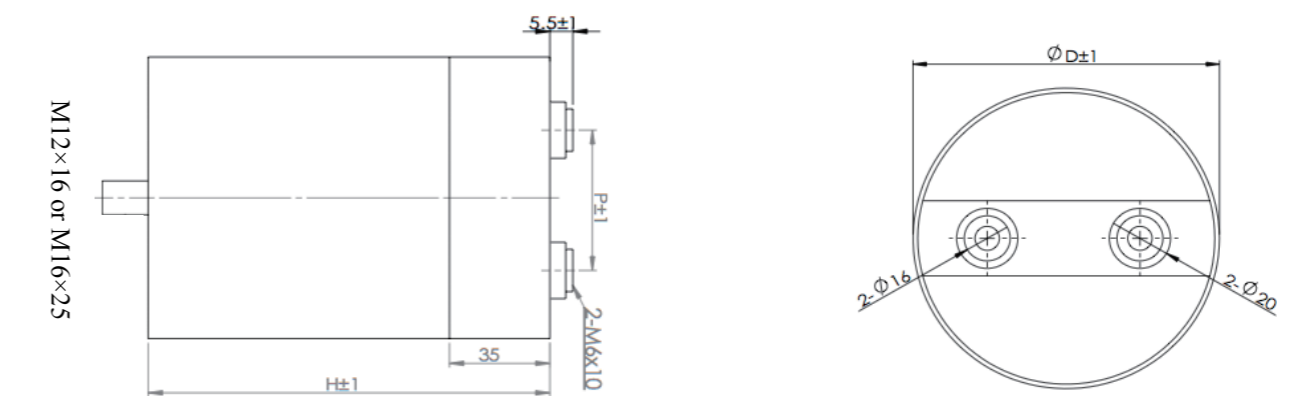
FC33	-	657	K	800	#	145	#	#
⋮		⋮	⋮	⋮	⋮	⋮	⋮	⋮
Series		Capacitance	Tolerance	Voltage	Terminal Style	H	Mounting	PA
		107=100.0μF	J=±5%	Un	A= M8 Male	Height	C=Clamping	PA: Al.Case
		108=1000.0μF	K=±10%	VDC	B=M6 Female		S= M12/M16	PT: PVC tube



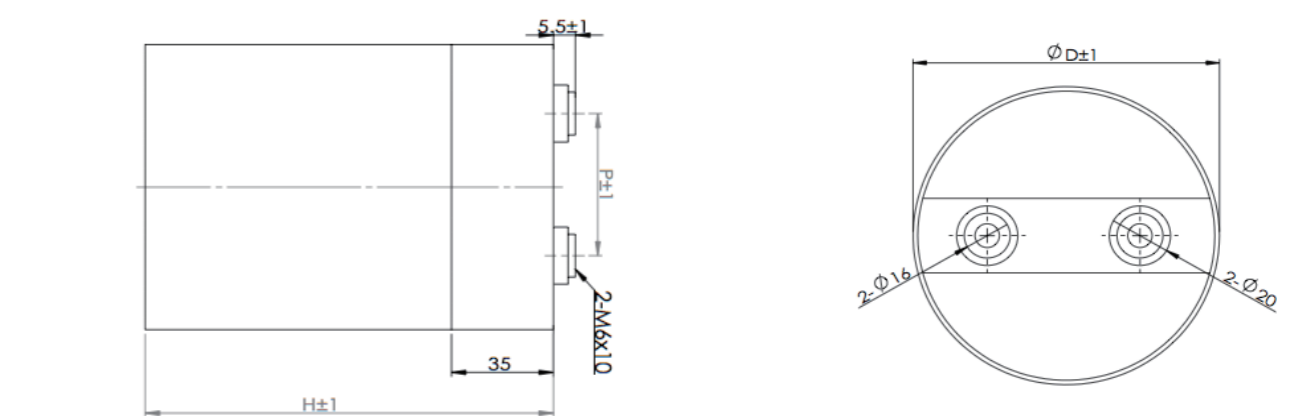
Terminal Style A : M8 Male Screw; Mounting Style C: Clamping



Terminal Style B : M6 Female Screw; Mounting Style S: M12 ×16 or M16 ×25(ΦD=126,136)



Terminal Style B : M6 Female Screw; Mounting Style C: Clamping



❖ Technical Datasheet

❖ Technical Datasheet

Part Number	Cn	Un	UTC	ESL	ESR	Irms	dv/dt	I peak	Dimension (mm)		
	μF	Vdc	Vac	nH	mΩ	Max.	V/μs	Amps	ΦD	H	P
Un : 600VDC, UTT : 900VDC											
FC33-427K600#75#PA	420	600	3000	50	2.0	60 A	5	2100	86	75	32
FC33-507K600#85#PA	500	600	3000	60	2.2	58 A	4	2000	86	85	32
FC33-657K600#95#PA	650	600	3000	65	2.5	55 A	3.5	2275	86	95	32
FC33-857K600#125#PA	850	600	3000	50	1.2	70 A	5	4250	86	125	32
FC33-108K600#145#PA	1000	600	3000	60	1.5	68 A	4	4000	86	145	32
FC33-138K600#175#PA	1300	600	3000	65	1.8	65 A	3.5	4550	86	175	32
FC33-158K600#225#PA	1500	600	3000	70	1.2	90 A	4	6000	86	225	32
FC33-208K600#270#PA	2000	600	3000	80	1.0	90 A	3.5	7000	86	270	32
FC33-557K600#75#PA	550	600	3000	50	1.7	65 A	5	2750	96	75	45
FC33-657K600#85#PA	650	600	3000	60	1.8	62 A	4	2600	96	85	45
FC33-857K600#95#PA	850	600	3000	65	2.2	60 A	3.5	2975	96	95	45
FC33-118K600#125#PA	1100	600	3000	50	1.0	75 A	5	5500	96	125	45
FC33-138K600#145#PA	1300	600	3000	60	1.2	72 A	4	5200	96	145	45
FC33-178K600#175#PA	1700	600	3000	65	1.5	70 A	3.5	5950	96	175	45
FC33-208K600#225#PA	2000	600	3000	70	1.0	100 A	4	8000	96	225	45
FC33-258K600#270#PA	2500	600	3000	80	0.9	100 A	3.5	8750	96	270	45
FC33-837K600#75#PA	830	600	3000	50	1.5	70 A	5	4150	116	75	50
FC33-108K600#85#PA	1000	600	3000	60	1.8	68 A	4	4000	116	85	50
FC33-138K600#95#PA	1300	600	3000	65	2.0	65 A	3.5	4550	116	95	50
FC33-168K600#125#PA	1600	600	3000	50	0.8	80 A	5	8000	116	125	50
FC33-208K600#145#PA	2000	600	3000	60	0.9	76 A	4	8000	116	145	50
FC33-258K600#175#PA	2500	600	3000	65	1.0	72 A	3.5	8750	116	175	50
FC33-308K600#225#PA	3000	600	3000	70	0.7	120 A	4	12000	116	225	50
FC33-388K600#270#PA	3800	600	3000	80	0.8	110 A	3.5	13300	116	270	50
Un : 800VDC, UTT : 1200VDC											
FC33-277K800#75#PA	270	800	3000	50	1.8	58 A	8	2160	86	75	32
FC33-327K800#85#PA	320	800	3000	60	2.0	55 A	7	2240	86	85	32
FC33-427K800#95#PA	420	800	3000	65	2.5	52 A	6	2520	86	95	32
FC33-477K800#120#PA	470	800	3000	45	0.9	68 A	8	3760	86	120	32
FC33-557K800#125#PA	550	800	3000	50	1.0	65 A	8	4400	86	125	32
FC33-657K800#145#PA	650	800	3000	60	1.1	65 A	7	4550	86	145	32
FC33-857K800#175#PA	850	800	3000	65	1.3	62 A	6	5100	86	175	32
FC33-108K800#225#PA	1000	800	3000	70	0.8	100 A	7	7000	86	225	32
FC33-128K800#270#PA	1200	800	3000	80	0.9	100 A	6	7200	86	270	32

Part Number	Cn	Un	UTC	ESL	ESR	Irms	dv/dt	I peak	Dimension (mm)		
	μF	Vdc	Vac	nH	mΩ	Max.	V/μs	Amps	ΦD	H	P
Un : 800VDC, UTT : 1200VDC											
FC33-357K800#75#PA	350	800	3000	50	1.5	60 A	8	2800	96	75	45
FC33-427K800#85#PA	420	800	3000	60	1.8	58 A	7	2940	96	85	45
FC33-537K800#95#PA	530	800	3000	65	2.0	55 A	6	3180	96	95	45
FC33-707K800#125#PA	700	800	3000	50	0.9	75 A	8	5600	96	125	45
FC33-857K800#145#PA	850	800	3000	60	1.0	70 A	7	5950	96	145	45
FC33-108K800#175#PA	1000	800	3000	65	1.1	68 A	6	6000	96	175	45
FC33-128K800#225#PA	1200	800	3000	70	0.7	100 A	7	8400	96	225	45
FC33-168K800#270#PA	1600	800	3000	80	0.8	95 A	6	9600	96	270	45
FC33-527K800#75#PA	520	800	3000	50	1.2	70 A	8	4160	116	75	50
FC33-657K800#85#PA	650	800	3000	60	1.5	76 A	7	4550	116	85	50
FC33-807K800#95#PA	800	800	3000	65	1.6	72 A	6	4800	116	95	50
FC33-108K800#125#PA	1000	800	3000	50	0.6	90 A	8	8000	116	125	50
FC33-128K800#145#PA	1200	800	3000	60	0.7	85 A	7	8400	116	145	50
FC33-168K800#175#PA	1600	800	3000	65	0.8	80 A	6	9600	116	175	50
FC33-198K800#225#PA	1900	800	3000	70	0.6	100 A	7	13300	116	225	50
FC33-248K800#270#PA	2400	800	3000	80	0.7	100 A	6	14400	116	270	50
FC33-757K800#75#PA	750	800	3000	50	1.0	78 A	8	6000	136	75	50
FC33-907K800#85#PA	900	800	3000	60	1.1	75 A	7	6300	136	85	50
FC33-118K800#95#PA	1100	800	3000	65	1.3	72 A	6	6600	136	95	50
FC33-158K800#125#PA	1500	800	3000	50	0.6	90 A	8	12000	136	125	50
FC33-188K800#145#PA	1800	800	3000	60	0.7	90 A	7	12600	136	145	50
FC33-238K800#175#PA	2300	800	3000	65	0.8	90 A	6	13800	136	175	50
FC33-278K800#225#PA	2700	800	3000	70	0.5	120 A	7	18900	136	225	50
FC33-348K800#270#PA	3400	800	3000	80	0.6	110 A	6	20400	136	270	50
Un : 1100VDC, UTT : 1650VDC											
FC33-167K1100#75#PA	160	1100	4000	50	3.0	50 A	12	1920	86	75	32
FC33-227K1100#85#PA	220	1100	4000	60	3.5	48 A	10	2200	86	85	32
FC33-257K1100#95#PA	250	1100	4000	65	4.2	45 A	8	2000	86	95	32
FC33-357K1100#125#PA	350	1100	4000	50	1.6	65 A	12	4200	86	125	32
FC33-427K1100#136#PA	420	1100	4000	55	1.5	75 A	11	4620	86	136	32
FC33-407K1100#145#PA	400	1100	4000	60	1.8	70 A	10	4000	86	145	32
FC33-427K1100#155#PA	420	1100	4000	60	1.6	72 A	10	4200	86	155	32
FC33-507K1100#175#PA	500	1100	4000	65	2.0	68 A	8	4000	86	175	32
FC33-607K1100#225#PA	600	1100	4000	80	1.2	90 A	10	6000	86	225	32
FC33-757K1100#270#PA	750	1100	4000	80	1.5	85 A	8	6000	86	270	32

Part Number	Cn	Un	UTC	ESL	ESR	Irms	dv/dt	I peak	Dimension (mm)		
	μF	Vdc	Vac	nH	mΩ	Max.	V/μs	Amps	ΦD	H	P
Un : 1100VDC, UTT : 1650VDC											
FC33-227K1100#75#PA	220	1100	4000	50	2.5	55 A	12	2640	96	75	45
FC33-267K1100#85#PA	260	1100	4000	60	3.0	52 A	10	2600	96	85	45
FC33-357K1100#95#PA	350	1100	4000	65	3.5	50 A	8	2800	96	95	45
FC33-427K1100#125#PA	420	1100	4000	50	1.5	70 A	12	5040	96	125	45
FC33-527K1100#145#PA	520	1100	4000	60	1.6	68 A	10	5200	96	145	45
FC33-657K1100#175#PA	650	1100	4000	65	1.8	65 A	8	5200	96	175	45
FC33-807K1100#225#PA	800	1100	4000	70	1.0	100 A	10	8000	96	225	45
FC33-108K1100#270#PA	1000	1100	4000	80	1.2	95 A	8	8000	96	270	45
FC33-337K1100#75#PA	330	1100	4000	50	1.8	60 A	12	3960	116	75	50
FC33-407K1100#85#PA	400	1100	4000	60	2.0	58 A	10	4000	116	85	50
FC33-507K1100#95#PA	500	1100	4000	65	2.5	55 A	8	4000	116	95	50
FC33-657K1100#125#PA	650	1100	4000	50	1.0	80 A	12	7800	116	125	50
FC33-807K1100#145#PA	800	1100	4000	60	1.2	75 A	10	8000	116	145	50
FC33-108K1100#175#PA	1000	1100	4000	65	1.5	70 A	8	8000	116	175	50
FC33-128K1100#225#PA	1200	1100	4000	70	0.7	110 A	10	12000	116	225	50
FC33-158K1100#270#PA	1500	1100	4000	80	0.8	100 A	8	12000	116	270	50
FC33-457K1100#75#PA	450	1100	4000	50	1.5	70 A	12	5400	136	75	50
FC33-557K1100#85#PA	550	1100	4000	60	1.8	68 A	10	5500	136	85	50
FC33-727K1100#95#PA	720	1100	4000	65	2.0	65 A	8	5760	136	95	50
FC33-927K1100#125#PA	920	1100	4000	50	0.8	90 A	12	11040	136	125	50
FC33-118K1100#145#PA	1100	1100	4000	60	0.9	85 A	10	11000	136	145	50
FC33-148K1100#175#PA	1400	1100	4000	65	1.0	80 A	8	11200	136	175	50
FC33-178K1100#225#PA	1700	1100	4000	70	0.7	120 A	10	17000	136	225	50
FC33-228K1100#270#PA	2200	1100	4000	80	0.8	110 A	8	17600	136	270	50
Un : 1200VDC, UTT : 1800VDC											
FC33-127K1200#75#PA	120	1200	4000	50	2.3	45 A	14	1680	86	75	32
FC33-157K1200#85#PA	150	1200	4000	60	2.6	42 A	12	1800	86	85	32
FC33-187K1200#95#PA	180	1200	4000	65	3.2	40 A	10	1800	86	95	32
FC33-227K1200#125#PA	220	1200	4000	50	1.2	55 A	14	3080	86	125	32
FC33-277K1200#145#PA	270	1200	4000	60	1.5	52 A	12	3240	86	145	32
FC33-357K1200#175#PA	350	1200	4000	65	1.6	50 A	10	3500	86	175	32
FC33-427K1200#225#PA	420	1200	4000	60	1.0	80 A	12	5040	86	225	32
FC33-477K1200#225#PA	470	1200	4000	80	2.0	65 A	8	3760	86	225	32
FC33-527K1200#270#PA	520	1200	4000	80	1.2	75 A	10	5200	86	270	32

Part Number	Cn	Un	UTC	ESL	ESR	Irms	dv/dt	I peak	Dimension (mm)		
	μF	Vdc	Vac	nH	mΩ	Max.	V/μs	Amps	ΦD	H	P
Un : 1200VDC, UTT : 1800VDC											
FC33-157K1200#75#PA	150	1200	4000	50	1.9	50 A	14	2100	96	75	45
FC33-187K1200#85#PA	180	1200	4000	60	2.2	48 A	12	2160	96	85	45
FC33-227K1200#95#PA	220	1200	4000	65	2.6	45 A	10	2200	96	95	45
FC33-307K1200#125#PA	300	1200	4000	50	1.0	60 A	14	4200	96	125	45
FC33-357K1200#145#PA	350	1200	4000	60	1.2	58 A	12	4200	96	145	45
FC33-457K1200#175#PA	450	1200	4000	65	1.8	55 A	10	4500	96	175	45
FC33-557K1200#225#PA	550	1200	4000	70	0.9	80 A	12	6600	96	225	45
FC33-707K1200#270#PA	700	1200	4000	80	1.0	78 A	10	7000	96	270	45
FC33-227K1200#75#PA	220	1200	4000	50	1.5	60 A	14	3080	116	75	50
FC33-277K1200#85#PA	270	1200	4000	60	1.7	58 A	12	3240	116	85	50
FC33-357K1200#95#PA	350	1200	4000	65	1.9	55 A	10	3500	116	95	50
FC33-457K1200#125#PA	450	1200	4000	50	0.8	75 A	14	6300	116	125	50
FC33-557K1200#145#PA	550	1200	4000	60	0.9	73 A	12	6600	116	145	50
FC33-707K1200#175#PA	700	1200	4000	65	1.0	72 A	10	7000	116	175	50
FC33-807K1200#225#PA	800	1200	4000	70	0.7	100 A	12	9600	116	225	50
FC33-108K1200#270#PA	1000	1200	4000	80	0.8	100 A	10	10000	116	270	50
FC33-307K1200#75#PA	300	1200	4000	50	1.2	70 A	14	4200	136	75	50
FC33-407K1200#85#PA	400	1200	4000	60	1.4	68 A	12	4800	136	85	50
FC33-507K1200#95#PA	500	1200	4000	65	1.6	65 A	10	5000	136	95	50
FC33-657K1200#125#PA	650	1200	4000	50	0.7	85 A	14	9100	136	125	50
FC33-807K1200#145#PA	800	1200	4000	60	0.8	82 A	12	9600	136	145	50
FC33-108K1200#175#PA	1000	1200	4000	65	0.9	80 A	10	10000	136	175	50
FC33-128K1200#225#PA	1200	1200	4000	70	0.5	110 A	12	14400	136	225	50
FC33-158K1200#270#PA	1500	1200	4000	80	0.6	100 A	10	15000	136	270	50
Un : 1600VDC, UTT : 2400VDC											
FC33-606K1600#75#PA	60	1600	4000	50	2.8	40 A	18	1080	86	75	32
FC33-756K1600#85#PA	75	1600	4000	60	3.3	38 A	16	1200	86	85	32
FC33-107K1600#95#PA	100	1600	4000	65	4.0	35 A	14	1400	86	95	32
FC33-127K1600#125#PA	120	1600	4000	50	1.5	55 A	18	2160	86	125	32
FC33-157K1600#145#PA	150	1600	4000	60	1.7	52 A	16	2400	86	145	32
FC33-207K1600#175#PA	200	1600	4000	65	2.0	50 A	14	2800	86	175	32
FC33-237K1600#225#PA	230	1600	4000	70	1.3	75 A	16	3680	86	225	32
FC33-307K1600#270#PA	300	1600	4000	80	1.5	72 A	14	4200	86	270	32

Part Number	Cn	Un	UTC	ESL	ESR	Irms	dv/dt	I peak	Dimension (mm)		
	μF	Vdc	Vac	nH	mΩ	Max.	V/μs	Amps	ΦD	H	P
Un : 1600VDC, UTT : 2400VDC											
FC33-806K1600#75#PA	80	1600	4000	50	2.4	45 A	18	1440	96	75	45
FC33-107K1600#85#PA	100	1600	4000	60	2.8	42 A	16	1600	96	85	45
FC33-127K1600#95#PA	120	1600	4000	65	3.3	40 A	14	1680	96	95	45
FC33-167K1600#125#PA	160	1600	4000	50	1.2	58 A	18	2880	96	125	45
FC33-207K1600#145#PA	200	1600	4000	60	1.5	55 A	16	3200	96	145	45
FC33-257K1600#175#PA	250	1600	4000	65	1.8	52 A	14	3500	96	175	45
FC33-307K1600#225#PA	300	1600	4000	70	1.0	80 A	16	4800	96	225	45
FC33-387K1600#270#PA	380	1600	4000	80	1.2	78 A	14	5320	96	270	45
FC33-127K1600#75#PA	120	1600	4000	50	1.8	55 A	18	2160	116	75	50
FC33-157K1600#85#PA	150	1600	4000	60	2.0	52 A	16	2400	116	85	50
FC33-207K1600#95#PA	200	1600	4000	65	2.5	50 A	14	2800	116	95	50
FC33-257K1600#125#PA	250	1600	4000	50	0.9	65 A	18	4500	116	125	50
FC33-307K1600#145#PA	300	1600	4000	60	1.0	62 A	16	4800	116	145	50
FC33-387K1600#175#PA	380	1600	4000	65	1.3	60 A	14	5320	116	175	50
FC33-457K1600#225#PA	450	1600	4000	70	0.8	88 A	16	7200	116	225	50
FC33-587K1600#270#PA	580	1600	4000	80	0.9	85 A	14	8120	116	270	50
FC33-187K1600#75#PA	180	1600	4000	50	1.4	60 A	18	3240	136	75	50
FC33-217K1600#85#PA	210	1600	4000	60	1.6	58 A	16	3360	136	85	50
FC33-277K1600#95#PA	270	1600	4000	65	2.0	55 A	14	3780	136	95	50
FC33-357K1600#125#PA	350	1600	4000	50	0.8	80 A	18	6300	136	125	50
FC33-427K1600#145#PA	420	1600	4000	60	0.9	78 A	16	6720	136	145	50
FC33-557K1600#175#PA	550	1600	4000	65	1.0	75 A	14	7700	136	175	50
FC33-657K1600#225#PA	650	1600	4000	70	0.6	100 A	16	10400	136	225	50
FC33-827K1600#270#PA	820	1600	4000	80	0.7	100 A	14	11480	136	270	50
Un : 2000VDC, UTT : 3000VDC											
FC33-406K2000#75#PA	40	2000	4000	50	3.5	38 A	22	880	86	75	32
FC33-506K2000#85#PA	50	2000	4000	60	4.0	36 A	20	1000	86	85	32
FC33-606K2000#95#PA	60	2000	4000	65	4.8	35 A	18	1080	86	95	32
FC33-806K2000#125#PA	80	2000	4000	50	1.8	50 A	22	1760	86	125	32
FC33-107K2000#145#PA	100	2000	4000	60	2.2	48 A	20	2000	86	145	32
FC33-127K2000#175#PA	120	2000	4000	65	2.5	45 A	18	2160	86	175	32
FC33-157K2000#225#PA	150	2000	4000	70	1.5	70 A	20	3000	86	225	32
FC33-177K2000#225#PA	170	2000	4000	80	3.5	50 A	16	2720	86	225	32
FC33-187K2000#270#PA	180	2000	4000	80	1.8	68 A	18	3240	86	270	32
Un : 2000VDC, UTT : 3000VDC											
FC33-506K2000#85#PA	50	2000	4000	60	4.0	36 A	20	1000	86	85	32
FC33-606K2000#95#PA	60	2000	4000	65	4.8	35 A	18	1080	86	95	32
FC33-806K2000#125#PA	80	2000	4000	50	1.8	50 A	22	1760	86	125	32
FC33-107K2000#145#PA	100	2000	4000	60	2.2	48 A	20	2000	86	145	32
FC33-127K2000#175#PA	120	2000	4000	65	2.5	45 A	18	2160	86	175	32
FC33-157K2000#225#PA	150	2000	4000	70	1.5	70 A	20	3000	86	225	32
FC33-177K2000#225#PA	170	2000	4000	80	3.5	50 A	16	2720	86	225	32
FC33-187K2000#270#PA	180	2000	4000	80	1.8	68 A	18	3240	86	270	32
Un : 2400VDC, UTT : 3600VDC											
FC33-556K2400#125#PA	55	2400	4500	50	2.3	45 A	14	770	86	125	32
FC33-706K2400#145#PA	70	2400	4500	60	2.6	42 A	12	840	86	145	32
FC33-906K2400#175#PA	90	2400	4500	65	3.2	40 A	10	900	86	175	32
FC33-127K2400#225#PA	120	2400	4500	80	4.0	38 A	8	960	86	225	32
FC33-726K2400#125#PA	72	2400	4500	50	2.0	55 A	14	1008	96	125	45
FC33-886K2400#145#PA	88	2400	4500	60	2.2	54 A	12	1056	96	145	45
FC33-117K2400#175#PA	110	2400	4500	65	2.6	52 A	10	1100	96	175	45
FC33-157K2400#225#PA	150	2400	4500	80	3.3	50 A	8	1200	96	225	45

Part Number	Cn	Un	UTC	ESL	ESR	Irms	dv/dt	I peak	Dimension (mm)		
	μF	Vdc	Vac	nH	mΩ	Max.	V/μs	Amps	ΦD	H	P
Un : 2000VDC, UTT : 3000VDC											
FC33-506K2000#75#PA	50	2000	4000	50	2.8	45 A	22	1100	96	75	45
FC33-656K2000#85#PA	65	2000	4000	60	3.2	42 A	20	1300	96	85	45
FC33-806K2000#95#PA	80	2000	4000	65	4.0	40 A	18	1440	96	95	45
FC33-107K2000#125#PA	100	2000	4000	50	1.5	58 A	22	2200	96	125	45
FC33-127K2000#145#PA	120	2000	4000	60	1.7	55 A	20	2400	96	145	45
FC33-167K2000#175#PA	160	2000	4000	65	2.0	52 A	18	2880	96	175	45
FC33-197K2000#225#PA	190	2000	4000	70	1.2	75 A	20	3800	96	225	45
FC33-257K2000#270#PA	250	2000	4000	80	1.4	72 A	18	4500	96	270	45
FC33-806K2000#75#PA	80	2000	4000	50	2.0	55 A	22	1760	116	75	50
FC33-956K2000#85#PA	95	2000	4000	60	2.3	52 A	20	1900	116	85	50
FC33-127K2000#95#PA	120	2000	4000	65	2.8	50 A	18	2160	116	95	50
FC33-167K2000#125#PA	160	2000	4000	50	1.2	65 A	22	3520	116	125	50
FC33-207K2000#125#PA	200	2000	4000	50	1.5	62 A	22	4400	116	125	50
FC33-197K2000#145#PA	190	2000	4000	60	1.3	64 A	20	3800	116	145	50
FC33-257K2000#175#PA	250	2000	4000	65	1.9	62 A	18	4500	116	175	50
FC33-307K2000#175#PA	300	2000	4000	65	2.3	60 A	18	5400	116	175	50
FC33-297K2000#225#PA	290	2000	4000	70	1.0	90 A	20	5800	116	225	50
FC33-367K2000#270#PA	360	2000	4000	80	1.2	85 A	18	6480	116	270	50
FC33-117K2000#75#PA	110	2000	4000	50	1.6	60 A	22	2420	136	75	50
FC33-147K2000#85#PA	140	2000	4000	60	1.8	62 A	20	2800	136	85	50
FC33-187K2000#95#PA	180	2000	4000	65	2.2	60 A	18	3240	136	95	50
FC33-227K2000#125#PA	220	2000	4000	50	0.9	75 A	22	4840	136	125	50
FC33-277K2000#145#PA	270	2000	4000	60	1.0	72 A	20	5400	136	145	50
FC33-357K2000#175#PA	350	2000	4000	65	1.2	70 A	18	6300	136	175	50
FC33-407K2000#225#PA	400	2000	4000	70	0.7	100 A	20	8000	136	225	50
FC33-527K2000#270#PA	520	2000	4000	80	0.8	100 A	18	9360	136	270	50
Un : 2400VDC, UTT : 3600VDC											
FC33-556K2400#125#PA	55	2400	4500	50	2.3	45 A	14	770	86	125	32
FC33-706K2400#145#PA	70	2400	4500	60	2.6	42 A	12	840	86	145	32
FC33-906K2400#175#PA	90	2400	4500	65	3.2	40 A	10	900	86	175	32
FC33-127K2400#225#PA	120	2400	4500	80	4.0	38 A	8	960	86	225	32
FC33-726K2400#125#PA	72	2400	4500	50	2.0	55 A	14	1008	96	125	45
FC33-886K2400#145#PA	88	2400	4500	60	2.2	54 A	12	1056	96	145	45
FC33-117K2400#175#PA	110	2400	4500	65	2.6	52 A	10	1100	96	175	45
FC33-157K2400#225#PA	150	2400	4500	80	3.3	50 A	8	1200	96	225	45

Part Number	Cn	Un	UTC	ESL	ESR	Irms	dv/dt	I peak	Dimension (mm)		
	μF	Vdc	Vac	nH	mΩ	Max.	V/μs	Amps	ΦD	H	P
Un : 2400VDC, UTT : 3600VDC											
FC33-117K2400#125#PA	110	2400	4500	50	1.5	62 A	14	1540	116	125	50
FC33-147K2400#145#PA	140	2400	4500	60	1.7	60 A	12	1680	116	145	50
FC33-177K2400#175#PA	170	2400	4500	65	2.0	58 A	10	1700	116	175	50
FC33-237K2400#225#PA	230	2400	4500	80	2.4	55 A	8	1840	116	225	50
FC33-167K2400#125#PA	160	2400	4500	50	1.2	75 A	14	2240	136	125	50
FC33-197K2400#145#PA	190	2400	4500	60	1.4	72 A	12	2280	136	145	50
FC33-257K2400#175#PA	250	2400	4500	65	1.6	70 A	10	2500	136	175	50
FC33-337K2400#225#PA	330	2400	4500	80	2.0	68 A	8	2640	136	225	50
Un : 2800VDC, UTT : 4200VDC											
FC33-406K2800#125#PA	40	2800	4800	50	2.6	42 A	16	640	86	125	32
FC33-506K2800#145#PA	50	2800	4800	60	3.0	40 A	14	700	86	145	32
FC33-656K2800#175#PA	65	2800	4800	65	3.6	38 A	12	780	86	175	32
FC33-856K2800#225#PA	85	2800	4800	80	4.7	35 A	10	850	86	225	32
FC33-526K2800#125#PA	52	2800	4800	50	2.1	52 A	16	832	96	125	45
FC33-656K2800#145#PA	65	2800	4800	60	2.5	50 A	14	910	96	145	45
FC33-826K2800#175#PA	82	2800	4800	65	3.0	48 A	12	984	96	175	45
FC33-117K2800#225#PA	110	2800	4800	80	3.8	46 A	10	1100	96	225	45
FC33-956K2800#125#PA	95	2800	4800	50	1.5	60 A	16	1520	116	125	50
FC33-127K2800#145#PA	120	2800	4800	60	1.7	59 A	14	1680	116	145	50
FC33-157K2800#175#PA	150	2800	4800	65	1.9	58 A	12	1800	116	175	50
FC33-207K2800#225#PA	200	2800	4800	80	2.3	55 A	10	2000	116	225	50
FC33-117K2800#125#PA	110	2800	4800	50	1.3	73 A	16	1760	136	125	50
FC33-147K2800#145#PA	140	2800	4800	60	1.5	72 A	14	1960	136	145	50
FC33-187K2800#175#PA	180	2800	4800	65	1.8	70 A	12	2160	136	175	50
FC33-247K2800#225#PA	240	2800	4800	80	2.1	68 A	10	2400	136	225	50
Un : 3200VDC, UTT : 4800VDC											
FC33-306K3200#125#PA	30	3200	5000	50	2.8	40 A	18	540	86	125	32
FC33-386K3200#145#PA	38	3200	5000	60	3.3	38 A	16	608	86	145	32
FC33-486K3200#175#PA	48	3200	5000	65	4.0	36 A	14	672	86	175	32
FC33-656K3200#225#PA	65	3200	5000	80	5.3	33 A	12	780	86	225	32
FC33-406K3200#125#PA	40	3200	5000	50	2.4	50 A	18	720	96	125	45
FC33-506K3200#145#PA	50	3200	5000	60	2.8	48 A	16	800	96	145	45
FC33-626K3200#175#PA	62	3200	5000	65	3.4	46 A	14	868	96	175	45
FC33-856K3200#225#PA	85	3200	5000	80	4.2	43 A	12	1020	96	225	45

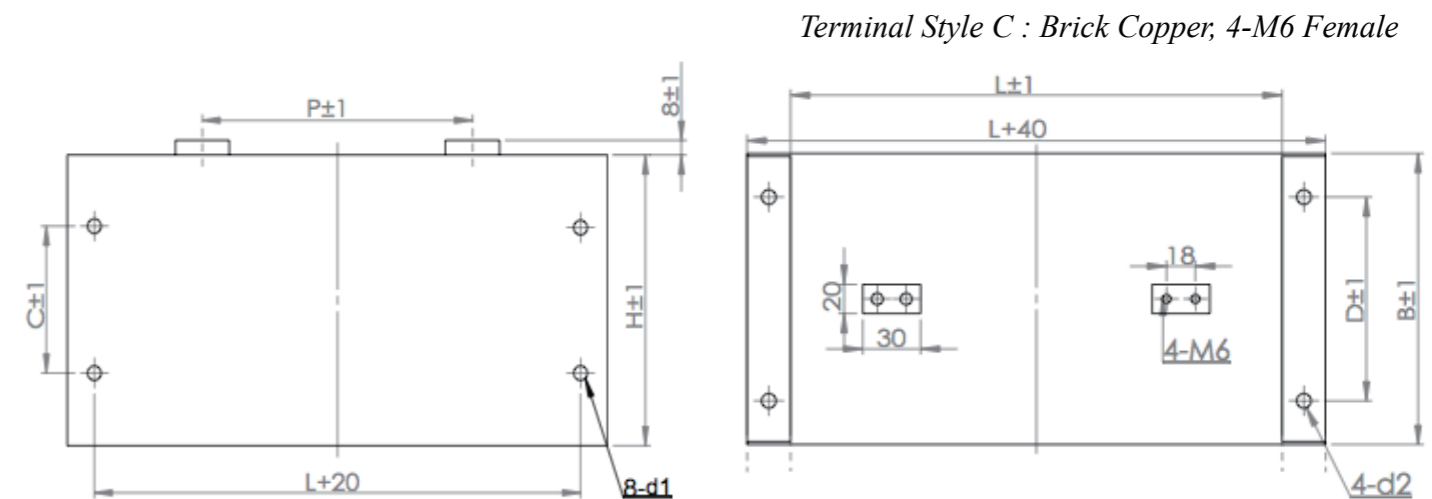
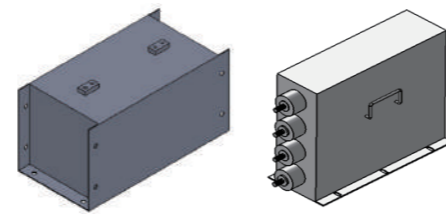
Part Number	Cn	Un	UTC	ESL	ESR	Irms	dv/dt	I peak	Dimension (mm)		
	μF	Vdc	Vac	nH	mΩ	Max.	V/μs	Amps	ΦD	H	P
Un : 3200VDC, UTT : 4800VDC											
FC33-626K3200#125#PA	62	3200	5000	50	1.8	55 A	18	1116	116	125	50
FC33-756K3200#145#PA	75	3200	5000	60	2.0	53 A	16	1200	116	145	50
FC33-956K3200#175#PA	95	3200	5000	65	2.4	52 A	14	1330	116	175	50
FC33-137K3200#225#PA	130	3200	5000	80	3.0	50 A	12	1560	116	225	50
FC33-886K3200#125#PA	88	3200	5000	50	1.4	70 A	18	1584	136	125	50
FC33-117K3200#145#PA	110	3200	5000	60	1.6	68 A	16	1760	136	145	50
FC33-147K3200#175#PA	140	3200	5000	65	2.0	67 A	14	1960	136	175	50
FC33-187K3200#225#PA	180	3200	5000	80	2.4	65 A	12	2160	136	225	50
Un : 3600VDC, UTT : 5400VDC											
FC33-256K3600#125#PA	25	3600	5500	50	3.1	37 A	20	500	86	125	32
FC33-306K3600#145#PA	30	3600	5500	60	3.8	35 A	18	540	86	145	32
FC33-386K3600#175#PA	38	3600	5500	65	4.5	32 A	16	608	86	175	32
FC33-526K3600#225#PA	52	3600	5500	80	5.8	30 A	14	728	86	225	32
FC33-326K3600#125#PA	32	3600	5500	50	2.5	48 A	20	640	96	125	45
FC33-406K3600#145#PA	40	3600	5500	60	3.0	46 A	18	720	96	145	45
FC33-506K3600#175#PA	50	3600	5500	65	3.6	43 A	16	800	96	175	45
FC33-656K3600#225#PA	65	3600	5500	80	4.8	40 A	14	910	96	225	45
FC33-486K3600#125#PA	48	3600	5500	50	1.9	52 A	20	960	116	125	50
FC33-606K3600#145#PA	60	3600	5500	60	2.2	50 A	18	1080	116	145	50
FC33-756K3600#175#PA	75	3600	5500	65	2.6	48 A	16	1200	116	175	50
FC33-107K3600#225#PA	100	3600	5500	80	3.3	46 A	14	1400	116	225	50
FC33-706K3600#125#PA	70	3600	5500	50	1.5	68 A	20	1400	136	125	50
FC33-856K3600#145#PA	85	3600	5500	60	1.8	65 A	18	1530	136	145	50
FC33-107K3600#175#PA	100	3600	5500	65	2.0	62 A	16	1600	136	175	50
FC33-147K3600#225#PA	140	3600	5500	80	2.5	60 A	14	1960	136	225	50
Un : 4000VDC, UTT : 6000VDC											
FC33-306K4000#175#PA	30	4000	6000	65	5.0	30 A	20	600	86	175	32
FC33-426K4000#225#PA	42	4000	6000	80	6.5	28 A	18	756	86	225	32
FC33-406K4000#175#PA	40	4000	6000	65	4.0	35 A	20	800	96	175	45
FC33-556K4000#225#PA	55	4000	6000	80	5.1	32 A	18	990	96	225	45
FC33-606K4000#175#PA	60	4000	6000	65	2.8	55 A	20	1200	116	175	50
FC33-826K4000#225#PA	82	4000	6000	80	3.5	50 A	18	1476	116	225	50
FC33-706K4000#145#PA	70	4000	6000	60	1.8	65 A	22	1540	136	145	50
FC33-856K4000#175#PA	85	4000	6000	65	2.2	62 A	20	1700	136	175	50
FC33-127K4000#225#PA	120	4000	6000	80	2.8	60 A	18	2160	136	225	50

First Film to Replace Screw Electrolytic or Oil-filled Power Capacitor

❖ Technical Datasheet

❖ 产品简介 (General Description)

引用标准 (Standard Reference)	IEC 61071 , GB/T 17702
气候类别 (Climatic Category)	40 / 85 / 56
最高使用海拔 (Max . Altitude)	2000 m
介质材料 (Dielectric Material)	金属化聚丙烯膜 (Self-Healing Metallized Polypropylene)
外壳类型 (Case Type)	铝或不锈钢外壳 (Aluminum or Stainless Steel Case, Resin filled)
引出电极类型 (Terminals Type)	螺杆或螺母端子 (Male or Female screw terminals)
电容量范围 (Capacitance Range)	Cn: 100μF ~ 30000μF
电容量偏差 (Capacitance Tolerance)	J (±5%), K (±10%)
介质损耗角正切值 (Dissipation Factor)	Dielectric Dissipation Factor (tg δ ₀): 0.0002 (1kHz , 20°C)
绝缘电阻 (Insulation Resistance)	IR × Cn : ≥ 10000s (100Vdc, 60s, 20°C)
额定电压 (Rated Voltage)	Un : 400VDC ~ 4000VDC
极间电压 (Test voltage U _{TT})	U _{TT} : 1.5Un (10s , 20°C) –Test voltage between both terminals
极壳电压 (Test voltage U _{TC})	U _{TC} : 3k~6kVac (10s , 20°C) –Test voltage between terminals with case
	1.1 × Un : 30% of on-load duration
	1.15 × Un : 30 min/day
过电压能力 (Maximum Over Voltage)	1.2 × Un : 5 min/day
	1.3 × Un : 1 min/day
	1.5 × Un : 30 ms/time, 1000 times during the life of the capacitor
工作温度 (Operating Temperature)	-40°C ~ 70°C
储存温度 (Storage Temperature)	-40°C ~ 85°C
工作寿命 (Operation Life Time)	100,000 hours (Un , 70°C)
电极扭矩 (Max. Torque of terminals)	M6 Female:6.5 Nm, M8 Female:8.5 Nm , M12 Male screw: 10 Nm
产品应用 (Applications)	Wind/Solar Inverter , SVG ,APF, High frequency power supply



Case No.	L	B	H	C	D	8-d1	4-d2	P
C1	285	125	160	80	80	Φ7	Φ7	100
C2	285	125	225	100	80	Φ7	Φ7	100
C3	285	125	290	120	80	Φ7	Φ7	100
C4	285	145	160	80	100	Φ7	Φ7	100
C5	285	145	225	100	100	Φ7	Φ7	100
C6	285	145	290	120	100	Φ7	Φ7	100
C7	285	175	160	80	120	Φ9	Φ9	100
C8	285	175	225	100	120	Φ9	Φ9	100
C9	285	175	290	120	120	Φ9	Φ9	100
C10	285	230	160	80	150	Φ9	Φ9	100
C11	285	230	225	100	150	Φ9	Φ9	100
C12	285	230	290	120	150	Φ9	Φ9	100
C13	340	125	190	80	80	Φ7	Φ7	120
C14	340	125	270	120	80	Φ7	Φ7	120
C15	340	125	350	150	80	Φ7	Φ7	120
C16	340	145	190	80	100	Φ7	Φ7	120
C17	340	145	270	120	100	Φ7	Φ7	120
C18	340	145	350	150	100	Φ7	Φ7	120
C19	340	175	190	80	120	Φ9	Φ9	120
C20	340	175	270	120	120	Φ9	Φ9	120
C21	340	175	350	150	120	Φ9	Φ9	120
C22	340	230	190	80	150	Φ9	Φ9	120
C23	340	230	270	120	150	Φ9	Φ9	120
C24	340	230	350	150	150	Φ9	Φ9	120

Terminal Style A,B,D or other types on request

❖ 产品编码定义 (Part Number System)

EX: FC34-308K800C160SC1

FC34	-	308	K	800	#	160	#	#
⋮		⋮	⋮	⋮	⋮	⋮	⋮	⋮
Series	Capacitance	Tolerance	Voltage	Terminal Style	H	Case Type	Case No.	
	106=10.0μF	J=±5%	Un	A= M12 Male	Height	S=Stainless steel	See outline	
	107=100.0μF	K=±10%	VDC	B=M8 Female		A=Aluminum		
	108=1000.0μF			C=Brick Copper		SZ=Steel/Znic		
	109=10000.0μF			D=Lug Copper				

❖ Technical Datasheet

❖ Technical Datasheet

Part Number	Cn	Un	UTC	ESL	ESR	Irms	dv/dt	I peak	Dimension (mm)		
	μF	Vdc	Vac	nH	mΩ	A	V/μs	Amps	L	B	H
Un : 800VDC, U _{TT} : 1200VDC											
FC34-308K800C160#C1	3000	800	3000	80	1.0	150	6	18000	285	125	160
FC34-458K800C225#C2	4500	800	3000	80	0.9	190	6	27000	285	125	225
FC34-608K800C290#C3	6000	800	3000	80	0.8	220	6	36000	285	125	290
FC34-388K800C160#C4	3800	800	3000	85	1.1	150	5	19000	285	145	160
FC34-558K800C225#C5	5500	800	3000	85	1.0	190	5	27500	285	145	225
FC34-758K800C290#C6	7500	800	3000	85	0.9	220	5	37500	285	145	290
FC34-488K800C160#C7	4800	800	3000	90	1.2	150	4	19200	285	175	160
FC34-708K800C225#C8	7000	800	3000	90	1.1	190	4	28000	285	175	225
FC34-958K800C290#C9	9500	800	3000	90	1.0	220	4	38000	285	175	290
FC34-658K800C160#C10	6500	800	3000	100	1.3	150	3	19500	285	230	160
FC34-109K800C225#C11	10000	800	3000	100	1.2	190	3	30000	285	230	225
FC34-139K800C290#C12	13000	800	3000	100	1.1	220	3	39000	285	230	290
FC34-458K800C190#C13	4500	800	3000	80	0.8	180	6	27000	340	125	190
FC34-688K800C270#C14	6800	800	3000	80	0.7	240	6	40800	340	125	270
FC34-908K800C350#C15	9000	800	3000	80	0.6	300	6	54000	340	125	350
FC34-558K800C190#C16	5500	800	3000	85	0.9	180	5	27500	340	145	190
FC34-808K800C270#C17	8000	800	3000	85	0.8	240	5	40000	340	145	270
FC34-119K800C350#C18	11000	800	3000	85	0.7	300	5	55000	340	145	350
FC34-708K800C190#C19	7000	800	3000	90	1.0	180	4	28000	340	175	190
FC34-109K800C270#C20	10000	800	3000	90	0.9	240	4	40000	340	175	270
FC34-149K800C350#C21	14000	800	3000	90	0.8	300	4	56000	340	175	350
FC34-958K800C190#C22	9500	800	3000	100	1.1	180	3	28500	340	230	190
FC34-149K800C270#C23	14000	800	3000	100	1.0	240	3	42000	340	230	270
FC34-199K800C350#C24	19000	800	3000	100	0.9	300	3	57000	340	230	350
Un : 1100VDC, U _{TT} : 1650VDC											
FC34-198K1100C160#C1	1900	1100	4000	80	1.2	120	7	13300	285	125	160
FC34-288K1100C225#C2	2800	1100	4000	80	1.1	150	7	19600	285	125	225
FC34-388K1100C290#C3	3800	1100	4000	80	1.0	180	7	26600	285	125	290
FC34-238K1100C160#C4	2300	1100	4000	85	1.3	120	6	13800	285	145	160
FC34-358K1100C225#C5	3500	1100	4000	85	1.2	150	6	21000	285	145	225
FC34-468K1100C290#C6	4600	1100	4000	85	1.1	180	6	27600	285	145	290
FC34-308K1100C160#C7	3000	1100	4000	90	1.4	120	5	15000	285	175	160
FC34-458K1100C225#C8	4500	1100	4000	90	1.3	150	5	22500	285	175	225
FC34-608K1100C290#C9	6000	1100	4000	90	1.2	180	5	30000	285	175	290

Part Number	Cn	Un	UTC	ESL	ESR	Irms	dv/dt	I peak	Dimension (mm)		
	μF	Vdc	Vac	nH	mΩ	Max.	V/μs	Amps	L	B	H
Un : 1100VDC, U _{TT} : 1650VDC											
FC34-408K1100C160#C10	4000	1100	4000	100	1.5	120	4	16000	285	230	160
FC34-608K1100C225#C11	6000	1100	4000	100	1.4	150	4	24000	285	230	225
FC34-808K1100C290#C12	8000	1100	4000	100	1.3	180	4	32000	285	230	290
FC34-288K1100C190#C13	2800	1100	4000	80	1.0	150	7	19600	340	125	190
FC34-428K1100C270#C14	4200	1100	4000	80	0.9	200	7	29400	340	125	270
FC34-568K1100C350#C15	5600	1100	4000	80	0.8	240	7	39200	340	125	350
FC34-358K1100C190#C16	3500	1100	4000	85	1.1	150	6	21000	340	145	190
FC34-508K1100C270#C17	5000	1100	4000	85	1.0	200	6	30000	340	145	270
FC34-688K1100C350#C18	6800	1100	4000	85	0.9	240	6	40800	340	145	350
FC34-438K1100C190#C19	4300	1100	4000	90	1.2	150	5	21500	340	175	190
FC34-658K1100C270#C20	6500	1100	4000	90	1.1	200	5	32500	340	175	270
FC34-888K1100C350#C21	8800	1100	4000	90	1.0	240	5	44000	340	175	350
FC34-608K1100C190#C22	6000	1100	4000	100	1.3	150	4	24000	340	230	190
FC34-908K1100C270#C23	9000	1100	4000	100	1.2	200	4	36000	340	230	270
FC34-129K1100C350#C24	12000	1100	4000	100	1.1	240	4	48000	340	230	350
Un : 1200VDC, U _{TT} : 1800VDC											
FC34-138K1200C160#C1	1300	1200	4000	80	1.0	140	10	13000	285	125	160
FC34-208K1200C225#C2	2000	1200	4000	80	0.9	180	10	20000	285	125	225
FC34-288K1200C290#C3	2800	1200	4000	80	0.8	220	10	28000	285	125	290
FC34-168K1200C160#C4	1600	1200	4000	85	1.1	140	9	14400	285	145	160
FC34-248K1200C225#C5	2400	1200	4000	85	1.0	180	9	21600	285	145	225
FC34-328K1200C290#C6	3200	1200	4000	85	0.9	220	9	28800	285	145	290
FC34-208K1200C160#C7	2000	1200	4000	90	1.2	140	7	14000	285	175	160
FC34-308K1200C225#C8	3000	1200	4000	90	1.1	180	7	21000	285	175	225
FC34-408K1200C290#C9	4000	1200	4000	90	1.0	220	7	28000	285	175	290
FC34-288K1200C160#C10	2800	1200	4000	100	1.3	140	6	16800	285	230	160
FC34-428K1200C225#C11	4200	1200	4000	100	1.2	180	6	25200	285	230	225
FC34-568K1200C290#C12	5600	1200	4000	100	1.1	220	6	33600	285	230	290
FC34-278K1200C190#C13	2700	1200	4000	80	0.8	160	10	27000	340	125	190
FC34-408K1200C270#C14	4000	1200	4000	80	0.7	220	10	40000	340	125	270
FC34-548K1200C350#C15	5400	1200	4000	80	0.6	260	10	54000	340	125	350
FC34-238K1200C190#C16	2300	1200	4000	85	0.9	160	9	20700	340	145	190
FC34-358K1200C270#C17	3500	1200	4000	85	0.8	220	9	31500	340	145	270
FC34-478K1200C350#C18	4700	1200	4000	85	0.7	260	9	42300	340	145	350
FC34-308K1200C190#C19	3000	1200	4000	90	1.0	160	7	21000	340	175	190

Part Number	Cn	Un	UTC	ESL	ESR	Irms	dv/dt	I peak	Dimension (mm)		
	μF	Vdc	Vac	nH	mΩ	Max.	V/μs	Amps	L	B	H
Un : 1200VDC, U _{TT} : 1800VDC											
TC34-458K1200C270#C20	4500	1200	4000	90	0.9	220	7	31500	340	175	270
TC34-608K1200C350#C21	6000	1200	4000	90	0.8	260	7	42000	340	175	350
TC34-408K1200C190#C22	4000	1200	4000	100	1.1	160	6	24000	340	230	190
TC34-608K1200C270#C23	6000	1200	4000	100	1.0	220	6	36000	340	230	270
TC34-808K1200C350#C24	8000	1200	4000	100	0.9	260	6	48000	340	230	350
Un : 1600VDC, U _{TT} : 2400VDC											
TC34-757K1600C160#C1	750	1600	4000	80	1.1	130	12	9000	285	125	160
TC34-118K1600C225#C2	1100	1600	4000	80	1.0	150	12	13200	285	125	225
TC34-158K1600C290#C3	1500	1600	4000	80	0.9	180	12	18000	285	125	290
TC34-907K1600C160#C4	900	1600	4000	85	1.2	130	11	9900	285	145	160
TC34-138K1600C225#C5	1300	1600	4000	85	1.1	150	11	14300	285	145	225
TC34-188K1600C290#C6	1800	1600	4000	85	1.0	180	11	19800	285	145	290
TC34-118K1600C160#C7	1100	1600	4000	90	1.3	130	9	9900	285	175	160
TC34-178K1600C225#C8	1700	1600	4000	90	1.2	150	9	15300	285	175	225
TC34-238K1600C290#C9	2300	1600	4000	90	1.1	180	9	20700	285	175	290
TC34-158K1600C160#C10	1500	1600	4000	100	0.8	130	8	12000	285	230	160
TC34-238K1600C225#C11	2300	1600	4000	100	0.7	150	8	18400	285	230	225
TC34-308K1600C290#C12	3000	1600	4000	100	0.6	180	8	24000	285	230	290
TC34-108K1600C190#C13	1000	1600	4000	80	0.9	150	12	12000	340	125	190
TC34-168K1600C270#C14	1600	1600	4000	80	0.8	200	12	19200	340	125	270
TC34-218K1600C350#C15	2100	1600	4000	80	0.7	240	12	25200	340	125	350
TC34-138K1600C190#C16	1300	1600	4000	85	1.0	150	11	14300	340	145	190
TC34-198K1600C270#C17	1900	1600	4000	85	0.9	200	11	20900	340	145	270
TC34-268K1600C350#C18	2600	1600	4000	85	0.8	240	11	28600	340	145	350
TC34-168K1600C190#C19	1600	1600	4000	90	1.1	150	9	14400	340	175	190
TC34-258K1600C270#C20	2500	1600	4000	90	1.0	200	9	22500	340	175	270
TC34-338K1600C350#C21	3300	1600	4000	90	0.9	240	9	29700	340	175	350
TC34-228K1600C190#C22	2200	1600	4000	100	1.2	150	8	17600	340	230	190
TC34-338K1600C270#C23	3300	1600	4000	100	1.1	200	8	26400	340	230	270
TC34-458K1600C350#C24	4500	1600	4000	100	1.0	240	8	36000	340	230	350
Un : 2000VDC, U _{TT} : 3000VDC											
TC34-477K2000C160#C1	470	2000	4000	80	1.4	100	16	7520	285	125	160
TC34-707K2000C225#C2	700	2000	4000	80	1.2	130	16	11200	285	125	225
TC34-957K2000C290#C3	950	2000	4000	80	1.1	170	16	15200	285	125	290

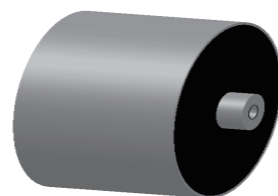
Part Number	Cn	Un	UTC	ESL	ESR	Irms	dv/dt	I peak	Dimension (mm)		
	μF	Vdc	Vac	nH	mΩ	Max.	V/μs	Amps	L	B	H
Un : 2000VDC, U _{TT} : 3000VDC											
TC34-587K2000C160#C4	580	2000	4000	80	1.5	100	15	8700	285	145	160
TC34-857K2000C225#C5	850	2000	4000	80	1.3	130	15	12750	285	145	225
TC34-128K2000C290#C6	1200	2000	4000	80	1.2	170	15	18000	285	145	290
TC34-757K2000C160#C7	750	2000	4000	70	1.6	100	14	10500	285	175	160
TC34-118K2000C225#C8	1100	2000	4000	80	1.4	130	14	15400	285	175	225
TC34-158K2000C290#C9	1500	2000	4000	80	1.3	170	14	21000	285	175	290
TC34-108K2000C160#C10	1000	2000	4000	50	1.7	100	12	12000	285	230	160
TC34-158K2000C225#C11	1500	2000	4000	60	1.5	130	12	18000	285	230	225
TC34-208K2000C290#C12	2000	2000	4000	65	1.4	170	12	24000	285	230	290
TC34-687K2000C190#C13	680	2000	4000	50	1.2	120	16	10880	340	125	190
TC34-108K2000C270#C14	1000	2000	4000	60	1.1	160	16	16000	340	125	270
TC34-138K2000C350#C15	1300	2000	4000	65	1.0	200	16	20800	340	125	350
TC34-807K2000C190#C16	800	2000	4000	70	1.3	120	15	12000	340	145	190
TC34-128K2000C270#C17	1200	2000	4000	80	1.2	160	15	18000	340	145	270
TC34-168K2000C350#C18	1600	2000	4000	50	1.1	200	15	24000	340	145	350
TC34-108K2000C190#C19	1000	2000	4000	60	1.4	120	14	14000	340	175	190
TC34-158K2000C270#C20	1500	2000	4000	65	1.3	160	14	21000	340	175	270
TC34-208K2000C350#C21	2000	2000	4000	50	1.2	200	14	28000	340	175	350
TC34-148K2000C190#C22	1400	2000	4000	50	1.5	120	12	16800	340	230	190
TC34-218K2000C270#C23	2100	2000	4000	60	1.4	160	12	25200	340	230	270
TC34-288K2000C350#C24	2800	2000	4000	65	1.3	200	12	33600	340	230	350
Un : 2400VDC, U _{TT} : 3600VDC											
TC34-527K2400C160#C7	520	2400	4500	50	2.5	100	8	4160	285	175	160
TC34-787K2400C225#C8	780	2400	4500	60	2.3	120	8	6240	285	175	225
TC34-108K2400C290#C9	1000	2400	4500	65	2.0	150	8	8000	285	175	290
TC34-757K2400C190#C19	750	2400	4500	65	2.3	120	8	6000	340	175	190
TC34-118K2400C270#C20	1100	2400	4500	80	2.0	150	8	8800	340	175	270
TC34-158K2400C350#C21	1500	2400	4500	80	1.8	170	8	12000	340	175	350
Un : 3200VDC, U _{TT} : 4800VDC											
TC34-297K3200C160#C7	290	3200	5000	50	3.0	80	10	2900	285	175	160
TC34-437K3200C225#C8	430	3200	5000	60	2.8	100	10	4300	285	175	225
TC34-587K3200C290#C9	580	3200	5000	65	2.5	120	10	5800	285	175	290
TC34-407K3200C190#C19	400	3200	5000	65	2.8	100	10	4000	340	175	190
TC34-607K3200C270#C20	600	3200	5000	80	2.5	120	10	6000	340	175	270
TC34-807K3200C350#C21	800	3200	5000	80	2.2	150	10	8000	340	175	350

Film Capacitor for High Frequency DC Filtering or Decoupling

❖ Technical Features

❖ 产品简介 (General Description)

引用标准 (Standard Reference)	IEC 61071 , GB/T 17702
气候类别 (Climatic Category)	40 / 85 / 56
最高使用海拔 (Max . Altitude)	2000 m
介质材料 (Dielectric Material)	金属化聚丙烯膜 (Self-Healing Metallized Polypropylene)
外壳类型 (Case Type)	胶带或塑料外壳 (Polyester tape or Plastic Case, Resin filled, UL94V-0)
引出电极类型 (Terminals Type)	螺杆或螺母端子 (Male or Female screw terminals)
电容量范围 (Capacitance Range)	Cn: 1.0μF ~ 200μF (1kHz , 20°C)
电容量偏差 (Capacitance Tolerance)	J (±5%), K (±10%)
介质损耗角正切值 (Dissipation Factor)	Dielectric Dissipation Factor (tg δ): 0.0002 (1kHz , 20°C)
绝缘电阻 (Insulation Resistance)	IR × Cn : ≥10000s (100Vdc, 60s, 20°C)
额定电压 (Rated Voltage)	Un : 300VDC ~ 5000VDC
极间电压 (Test voltage U _{TT})	U _{TT} : 1.5Un (10s , 20°C) –Test voltage between both terminals
极壳电压 (Test voltage U _{TC})	U _{TC} : 4000Vac (10s , 20°C) –Test voltage between terminals with case
	1.1 × Un : 30% of on-load duration
	1.15 × Un : 30 min/day
过电压能力 (Maximum Over Voltage)	1.2 × Un : 5 min/day
	1.3 × Un : 1 min/day
	1.5 × Un : 30 ms/time, 1000 times during the life of the capacitor
工作温度 (Operating Temperature)	- 40°C ~ 85°C
工作寿命 (Operation Life Time)	100,000 hours (Un , 70°C)
电极扭矩 (Max. Torque of terminals)	M6 Female screw: 3.5 Nm , M8 Female screw: 5.0 Nm
安装扭矩 (Max. Torque of installation)	Installation hole : 3.0 Nm
产品应用 (Applications)	Welding Machine, Induction Heating power, High frequency power



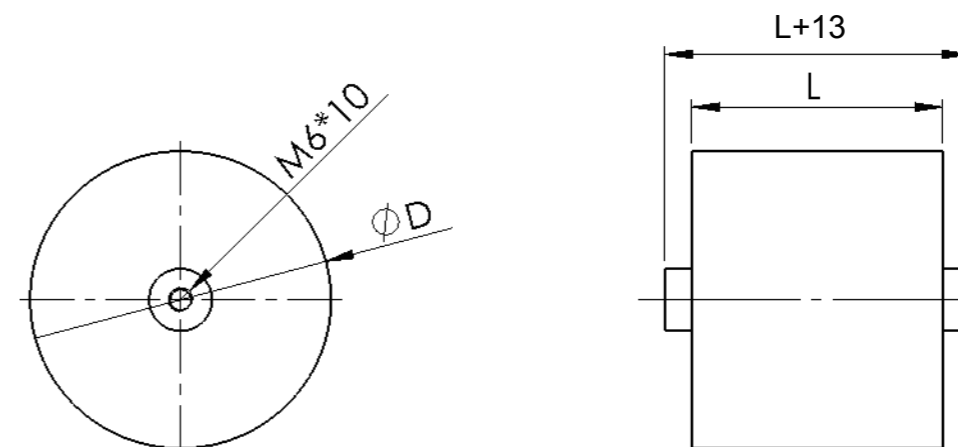
❖ 产品编码定义 (Part Number System)

EX: FC36-106K450B40S028

FC36	-	106		K		450		B		40		#		#
Series		Capacitance		Tolerance		Voltage		Style		L		Mounting		Diameter
		106=10.0μF		J=±5%		VDC		B=M6 Female		Length		Style		ΦD
		107=100.0μF		K=±10%				C=Lug Terminal				S0, S1		

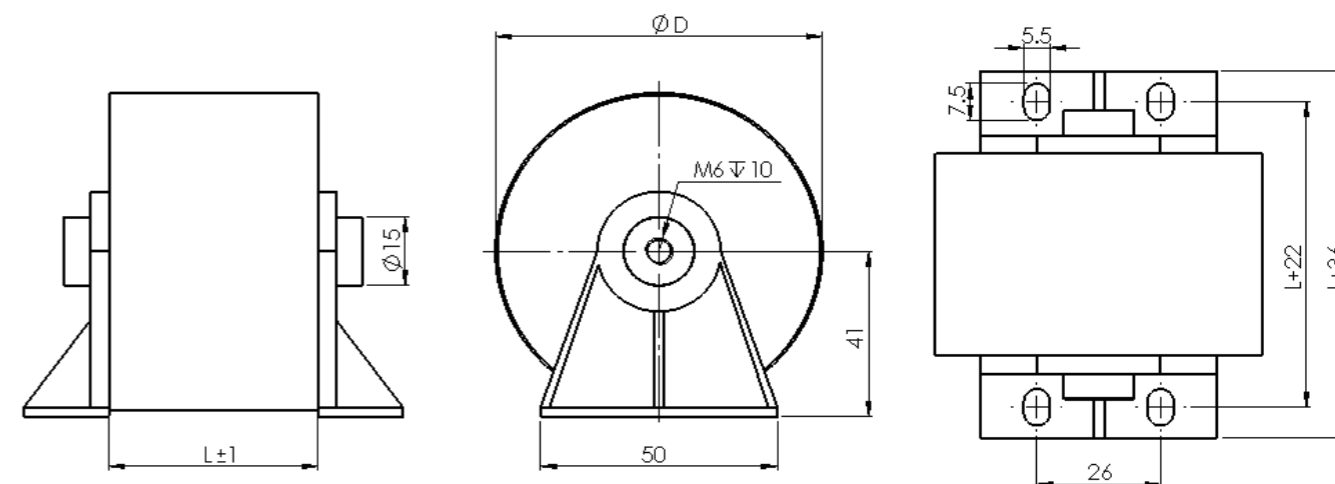
Style B: Female Screw (Output : M6), Mounting Style: S0

Unit: mm



Style B: Female Screw (Output : M6), Mounting Style: S1

Unit: mm



❖ 技术参数 (Technical Datasheet)

Part Number	Cn	Un	UTT	ESL	ESR	Irms	dv/dt	I peak	Dimension (mm)	
	μF	Vdc	Vdc	nH	mΩ	Max.	V/μs	Amps	ΦD	L
Un : 450VDC										
FC36-106K450B40#28	10	450	675	25	4.0	20A	30	300	28	40
FC36-206K450B40#38	20	450	675	25	2.5	25A	30	600	38	40
FC36-306K450B40#45	30	450	675	25	1.8	30A	30	900	45	40
FC36-406K450B40#52	40	450	675	25	1.5	35A	30	1200	52	40
FC36-506K450B40#58	50	450	675	25	1.4	40A	30	1500	58	40
FC36-606K450B50#53	60	450	675	35	1.8	40A	28	1680	53	50
FC36-706K450B50#57	70	450	675	35	1.6	45A	28	1960	57	50
FC36-806K450B50#62	80	450	675	40	1.5	50A	28	2240	62	50
FC36-107K450B60#62	100	450	675	40	1.8	50A	25	2500	62	60
FC36-207K450B60#68	200	450	675	40	1.4	60A	25	5000	68	60

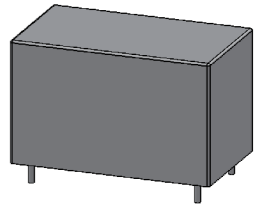
❖ Technical Datasheet

Part Number	Cn	Un	UTT	ESL	ESR	Irms	dv/dt	I peak	Dimension (mm)	
	μF	Vdc	Vdc	nH	mΩ	Max.	V/μs	Amps	ΦD	L
Un : 600VDC										
FC36-106K600B40#32	10	600	900	25	3.5	25A	50	500	32	40
FC36-206K600B40#45	20	600	900	25	2	35A	50	1000	45	40
FC36-306K600B40#54	30	600	900	25	1.6	45A	50	1500	54	40
FC36-406K600B40#62	40	600	900	25	1.4	55A	50	2000	62	40
FC36-506K600B40#70	50	600	900	25	1.2	65A	50	2500	70	40
FC36-606K600B50#64	60	600	900	35	1.6	55A	45	2700	64	50
FC36-706K600B50#68	70	600	900	35	1.4	60A	45	3150	68	50
FC36-806K600B50#73	80	600	900	35	1.3	65A	45	3600	73	50
FC36-107K600B60#72	100	600	900	40	1.6	65A	40	4000	72	60
Un : 700VDC										
FC36-106K700B40#28	10	700	1050	25	4.0	20A	30	300	28	40
FC36-206K700B40#38	20	700	1050	25	2.5	25A	30	600	38	40
FC36-306K700B40#45	30	700	1050	25	1.8	30A	30	900	45	40
FC36-406K700B40#52	40	700	1050	25	1.5	35A	30	1200	52	40
FC36-506K700B40#58	50	700	1050	25	1.3	40A	30	1500	58	40
FC36-606K700B50#54	60	700	1050	30	2	40A	25	1500	54	50
FC36-706K700B50#58	70	700	1050	30	1.8	45A	25	1750	58	50
FC36-806K700B50#62	80	700	1050	30	1.7	50A	25	2000	62	50
FC36-107K700B50#68	100	700	1050	30	1.5	55A	25	2500	68	50
Un : 800VDC										
FC36-106K800B40#42	10	800	1200	25	2.8	35A	60	600	42	40
FC36-206K800B40#60	20	800	1200	25	1.7	45A	60	1200	60	40
FC36-306K800B50#60	30	800	1200	30	2.0	55A	55	1650	60	50
FC36-406K800B70#50	40	800	1200	30	1.7	65A	55	2200	70	50
FC36-506K800B60#68	50	800	1200	35	2.0	65A	50	2500	68	60
FC36-606K800B60#58	60	800	1200	35	2.1	60A	50	3000	58	60
FC36-706K800B60#60	70	800	1200	35	2.0	60A	50	3500	60	60
FC36-806K800B60#65	80	800	1200	35	1.8	65A	50	4000	65	60
FC36-107K800B60#72	100	800	1200	35	1.6	70A	50	5000	72	60
Un : 1200VDC										
FC36-106K800B40#52	10	1200	1800	25	2.3	40A	80	800	52	40
FC36-206K800B40#73	20	1200	1800	25	1.5	50A	80	1600	73	40
FC36-306K800B50#75	30	1200	1800	30	1.7	55A	75	2250	75	50
FC36-406K800B50#78	40	1200	1800	30	2.0	65A	75	3000	78	50
FC36-506K800B60#68	50	1200	1800	35	2.0	60A	70	3500	68	60
FC36-606K800B60#75	60	1200	1800	35	1.7	65A	70	4200	75	60
FC36-706K800B60#80	70	1200	1800	35	1.6	70A	70	4900	80	60
FC36-806K800B60#75	80	1200	1800	35	2.1	65A	70	5600	75	60
FC36-107K800B60#85	100	1200	1800	35	1.8	75A	70	7000	85	60

Film Capacitor for High Frequency DC-Link/Filtering or Decoupling

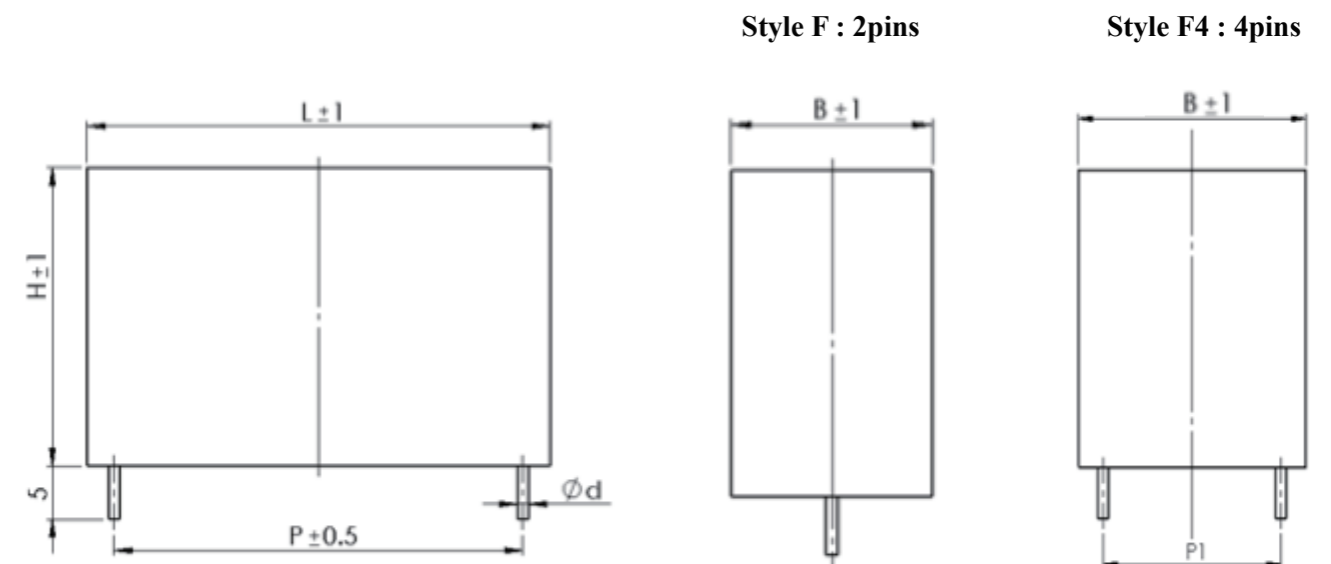
❖ 产品简介 (General Description)

引用标准 (Standard Reference)	IEC 61071 , GB/T 17702
气候类别 (Climatic Category)	40 / 85 / 56
介质材料 (Dielectric Material)	金属化聚丙烯膜 (Self-Healing Metallized Polypropylene)
外壳类型 (Case Type)	塑料外壳 (Plastic case, Resin filled, UL94V-0)
引出电极类型 (Terminals Type)	镀锡铜线引出 (Tinned copper wire)
电容量范围 (Capacitance Range)	Cn: 5.0μF ~ 200.0μF (1kHz , 20°C)
电容量偏差 (Capacitance Tolerance)	J (±5%), K(±10%)
介质损耗正切值 (Dissipation Factor)	Dielectric Dissipation Factor (tg δ): 0.0002 (1kHz , 20°C)
绝缘电阻 (Insulation Resistance)	IR × Cn : ≥10000s (100Vdc, 60s, 20°C)
额定电压 (Rated Voltage)	Un : 300VDC ~ 3000VDC
极间电压 (Test voltage UTT)	UTT: 1.5Un (10s , 20°C) -Test voltage between both terminals
极壳电压 (Test voltage UTC)	UTC: 3000Vac (10s , 20°C) -Test voltage between terminals with case
工作温度 (Operating Temperature)	- 40°C ~ 85°C (Case)
工作寿命 (Operation Life Time)	100,000 hours (Un , 70°C)
产品应用 (Applications)	Wind/Solar Inverter , Medical power, High frequency power supply etc..



❖ 外形图 (Outline Drawing)

Unit: mm



❖ Technical Datasheet

❖ Technical Features

Part Number	Cn	Un	ESR	dv/dt	I Peak	Irms max.	Dimension (mm)					
	μF	Vdc	mΩ	V/μs	Amps	A	L	B	H	P	P1	Ød
Un 600VDC, Urr: 900VDC												
FC38-106K600F437.5	10	600	8.5	25	250	9	42.5	24.5	27.5	37.5	20.3	1.2
FC38-156K600F437.5	15	600	6.0	25	375	11	42.5	34	36	37.5	20.3	1.2
FC38-206K600F437.5	20	600	4.8	25	500	13	42.5	34	36	37.5	20.3	1.2
FC38-256K600F437.5	25	600	3.9	25	625	15	42.5	34	36	37.5	20.3	1.2
FC38-306K600F437.5	30	600	3.3	25	750	17	42.5	33	45	37.5	20.3	1.2
FC38-356K600F437.5	35	600	2.9	25	875	19	42.5	33	45	37.5	20.3	1.2
FC38-406K600F437.5	40	600	2.8	25	1000	21	42.5	33	45	37.5	20.3	1.2
FC38-506K600F452.5	50	600	4.0	20	1000	20	57.5	30	45	52.5	20.3	1.2
FC38-606K600F452.5	60	600	3.5	20	1200	22	57.5	35	50	52.5	20.3	1.2
FC38-706K600F452.5	70	600	3.1	20	1400	24	57.5	42.5	56	52.5	20.3	1.2
FC38-806K600F452.5	80	600	2.8	20	1600	26	57.5	42.5	56	52.5	20.3	1.2
FC38-906K600F452.5	90	600	2.6	20	1800	28	57.5	42.5	56	52.5	20.3	1.2
FC38-956K600F452.5	95	600	2.5	20	1900	30	57.5	42.5	56	52.5	20.3	1.2
Un 800VDC, Urr: 1200VDC												
FC38-106K800F437.5	10	800	14	22	220	7	42.5	24.5	27.5	37.5	20.3	1.2
FC38-156K800F437.5	15	600	10	22	330	9	42.5	34	36	37.5	20.3	1.2
FC38-206K800F437.5	20	800	7.5	22	440	11	42.5	34	36	37.5	20.3	1.2
FC38-256K800F437.5	25	800	6.0	22	550	13	42.5	34	36	37.5	20.3	1.2
FC38-306K800F437.5	30	800	5.1	22	660	15	42.5	33	45	37.5	20.3	1.2
FC38-356K800F437.5	35	800	4.5	22	770	17	42.5	33	45	37.5	20.3	1.2
FC38-406K800F437.5	40	800	4.0	22	880	19	42.5	33	45	37.5	20.3	1.2
FC38-506K800F452.5	50	800	6.5	18	900	18	57.5	30	45	52.5	20.3	1.2
FC38-606K800F452.5	60	800	5.5	18	1080	20	57.5	35	50	52.5	20.3	1.2
FC38-706K800F452.5	70	800	4.8	18	1260	22	57.5	42.5	56	52.5	20.3	1.2
FC38-806K800F452.5	80	800	4.2	18	1440	24	57.5	42.5	56	52.5	20.3	1.2
FC38-906K800F452.5	90	800	4.0	18	1620	26	57.5	42.5	56	52.5	20.3	1.2
FC38-956K800F452.5	95	800	3.8	18	1710	28	57.5	42.5	56	52.5	20.3	1.2

Part Number	Cn	Un	ESR	dv/dt	I Peak	Irms max.	Dimension (mm)					
	μF	Vdc	mΩ	V/μs	Amps	A	L	B	H	P	P1	Ød
Un 900VDC, Urr: 1350VDC												
FC38-805K900F437.5	8	900	11	35	280	9	42.5	24.5	27.5	37.5	20.3	1.2
FC38-156K900F437.5	15	900	6.2	35	525	11	42.5	34	36	37.5	20.3	1.2
FC38-206K900F437.5	20	900	4.8	35	700	13	42.5	33	45	37.5	20.3	1.2
FC38-256K900F437.5	25	900	4.0	35	875	15	42.5	33	45	37.5	20.3	1.2
FC38-306K900F452.5	30	900	6.5	25	750	14	57.5	30	45	52.5	20.3	1.2
FC38-356K900F452.5	35	900	5.5	25	875	16	57.5	35	50	52.5	20.3	1.2
FC38-406K900F452.5	40	900	5.0	25	1000	18	57.5	35	50	52.5	20.3	1.2
FC38-456K900F452.5	45	900	4.5	25	1125	20	57.5	42.5	56	52.5	20.3	1.2
FC38-506K900F452.5	50	900	4.2	25	1250	22	57.5	42.5	56	52.5	20.3	1.2
FC38-556K900F452.5	55	900	3.8	25	1375	24	57.5	42.5	56	52.5	20.3	1.2
Un 1100VDC, Urr: 1650VDC												
FC38-605K1100F437.5	6	1100	13	45	270	9	42.5	24.5	27.5	37.5	20.3	1.2
FC38-106K1100F437.5	10	1100	7.5	45	450	11	42.5	34	36	37.5	20.3	1.2
FC38-156K1100F437.5	15	1100	5.2	45	675	14	42.5	33	45	37.5	20.3	1.2
FC38-206K1100F452.5	20	1100	7.8	35	700	13	57.5	30	45	52.5	20.3	1.2
FC38-256K1100F452.5	25	1100	6.5	35	875	15	57.5	35	50	52.5	20.3	1.2
FC38-306K1100F452.5	30	1100	5.8	35	1050	17	57.5	35	50	52.5	20.3	1.2
FC38-356K1100F452.5	35	1100	4.8	35	1225	19	57.5	42.5	56	52.5	20.3	1.2
FC38-406K1100F452.5	40	1100	4.2	35	1400	21	57.5	42.5	56	52.5	20.3	1.2

❖ 产品编码定义 (Part Number System)

EX: FC38-506K600F437.5

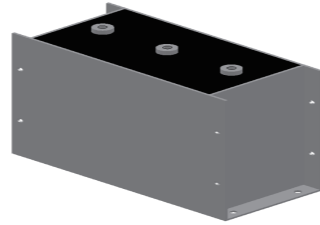
FC38	-	50	K	600	F4	52.5
⋮		⋮	⋮	⋮	⋮	⋮
Series		Capacitance	Tolerance	Voltage	Style	P
		105=1.0μF	J=±5%	VDC	F=2pins	
		106=10.0μF	K=±10%		F4=4pins	

Delta or Wye of Three Phase AC filter Capacitor With Rectangular Case

❖ Dimension

❖ 产品简介 (General Description)

引用标准 (Standard Reference)	IEC 61071 , GB/T 17702
气候类别 (Climatic Category)	40 / 85 / 56
最高使用海拔 (Max . Altitude)	2000 m
介质材料 (Dielectric Material)	金属化聚丙烯膜 (Self-Healing Metallized Polypropylene)
外壳类型 (Case Type)	铝或不锈钢外壳 (Aluminum or Stainless Steel Case, Resin filled)
引出电极类型 (Terminals Type)	螺杆或螺母端子 (Male or Female screw terminals)
电容量范围 (Capacitance Range)	Cn: 10μF ~ 1000μF
电容量偏差 (Capacitance Tolerance)	J (±5%), K (±10%)
介质损耗角正切值 (Dissipation Factor)	Dielectric Dissipation Factor (tg δ): 0.0002 (1kHz , 20°C)
绝缘电阻 (Insulation Resistance)	IR × Cn : ≥ 10000s (100Vdc, 60s, 20°C)
额定电压 (Rated Voltage)	Urms : 300VAC ~ 2000VAC
极间电压 (Test voltage U _{TT})	U _{TT} : 1.5Urms (10s , 20°C) –Test voltage between both terminals
极壳电压 (Test voltage U _{TC})	U _{TC} : 3k~6kVac (10s , 20°C) –Test voltage between terminals with case
	1.1 × Un : 30% of on-load duration
	1.15 × Un : 30 min/day
过电压能力 (Maximum Over Voltage)	1.2 × Un : 5 min/day
	1.3 × Un : 1 min/day
	1.5 × Un : 30 ms/time, 1000 times during the life of the capacitor
工作温度 (Operating Temperature)	-40°C ~ 70°C
储存温度 (Storage Temperature)	-40°C ~ 85°C
工作寿命 (Operation Life Time)	30,000 hours (Urms , 70°C)
电极扭矩 (Max. Torque of terminals)	M6 Female:6.5 Nm, M8 Female:8.5 Nm , M12 Male screw: 10 Nm
产品应用 (Applications)	Wind/Solar Inverter , SVG ,APF, High frequency power supply

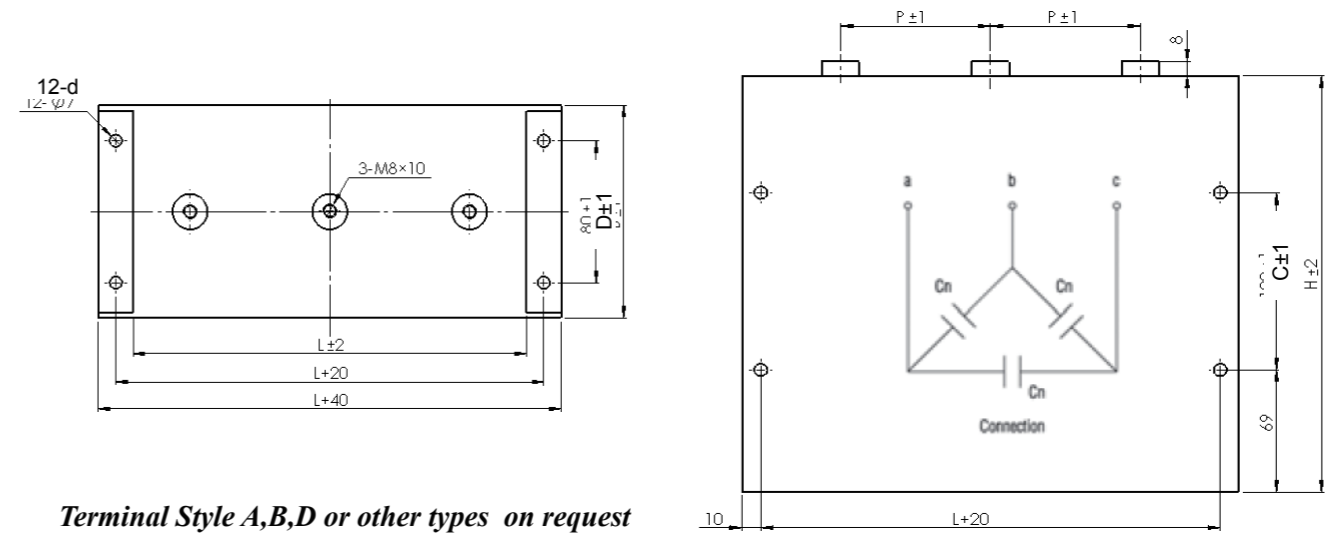


❖ 产品编码定义 (Part Number System)

EX: FC51-137J500B170SD

FC51	-	137	J	500	#	170	#	D
⋮		⋮	⋮	⋮	⋮	⋮	⋮	⋮
Series	Capacitance	Tolerance	Voltage	Terminal Style	Height	Case Type	Connection	
	106=10.0μF	J=±5%	Urms	A=M12 Male	H	S=Stainless steel	D=Delta	
	107=100.0μF	K=±10%	VAC	B=M8 Female		A=Aluminum	W=Wye	

Terminal Style B : 3-M8 Female Screw (Delta Connection)



Terminal Style A,B,D or other types on request

Case No.	L	B	H	C	D	12-d	P
A1	225	120	170	80	80	Φ7	80
A2	225	120	235	100	80	Φ7	80

❖ 技术参数 (Technical Characteristics)

Part Number	Cn	Urms	UTC	ESL	ESR	Irms	dv/dt	I peak	Dimension (mm)		
	μF	Vac	Vac	nH	mΩ	A	V/μs	Amps	L	B	H
Urms : 500VAC, U _{TT} : 750VAC or 1075VDC , Delta Connection											
FC51-137J500B170#D	3×130	500	4000	80	2.5	50	30	3900	225	120	170
FC51-207J500B235#D	3×200	500	4000	100	1.8	70	30	6000	225	120	235
Urms : 690VAC, U _{TT} : 1035VAC or 1500VDC , Delta Connection											
FC51-506J690B170#D	3×50	690	4000	80	2.0	45	50	2500	225	120	170
FC51-756J690B235#D	3×75	690	4000	100	1.5	65	50	3750	225	120	235
Urms : 850VAC, U _{TT} : 1275VAC or 1850VDC , Delta Connection											
FC51-356J850B170#D	3×35	850	4000	80	2.3	35	60	2100	225	120	170
FC51-506J850B235#D	3×50	850	4000	100	1.4	55	60	3000	225	120	235
Urms : 1000VAC, U _{TT} : 1500VAC or 2200VDC , Delta Connection											
FC51-256J1000B170#D	3×25	1000	4000	80	2.5	25	70	1750	225	120	170
FC51-406J1000B235#D	3×40	1000	4000	100	1.6	45	70	2800	225	120	235
Urms : 1200VAC, U _{TT} : 1800VAC or 2600VDC , Delta Connection											
FC51-206J1200B170#D	3×20	1200	4000	80	3.0	20	80	1600	225	120	170
FC51-306J1200B235#D	3×30	1200	4000	100	2.0	35	80	2400	225	120	235
Urms : 1500VAC, U _{TT} : 2250VAC or 3300VDC , Delta Connection											
FC51-126J1500B170#D	3×12	1500	4000	80	3.5	18	100	1200	225	120	170
FC51-206J1500B235#D	3×20	1500	4000	100	2.2	28	100	2000	225	120	235

❖ 产品简介 (General Description)

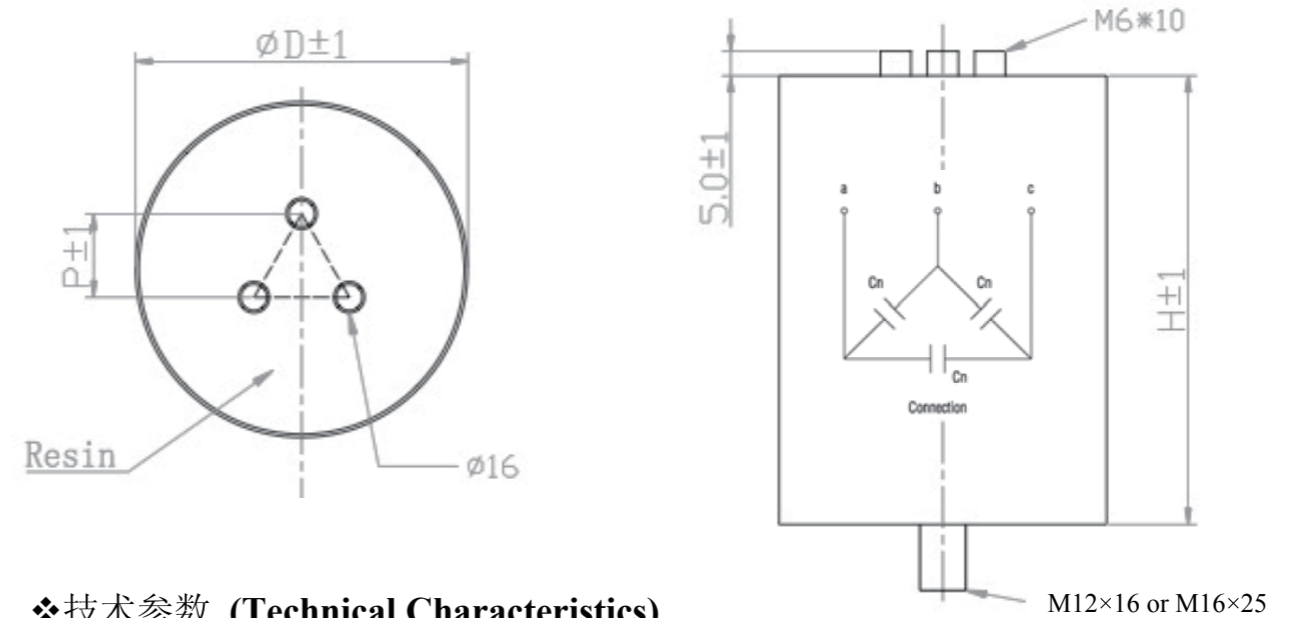
引用标准 (Standard Reference)	IEC 61071 , GB/T 17702
气候类别 (Climatic Category)	40 / 85 / 56
最高使用海拔 (Max . Altitude)	2000 m
介质材料 (Dielectric Material)	金属化聚丙烯膜 (Self-Healing Metallized Polypropylene)
外壳类型 (Case Type)	铝外壳 (Aluminum Case, Resin filled, UL94V-0)
引出电极类型 (Terminals Type)	螺杆或螺母端子 (Male or Female screw terminals)
电容量范围 (Capacitance Range)	Cn: 1.0μF ~ 500μF
电容量偏差 (Capacitance Tolerance)	J (±5%), K (±10%)
介质损耗角正切值 (Dissipation Factor)	Dielectric Dissipation Factor (tg δ ₀): 0.0002 (1kHz , 20°C)
绝缘电阻 (Insulation Resistance)	IR × Cn : ≥ 10000s (100Vdc, 60s, 20°C)
额定电压 (Rated Voltage)	Urms : 300VAC ~ 1500VAC
极间电压 (Test voltage U _{TT})	U _{TT} : 1.5Urms (10s , 20°C) –Test voltage between both terminals
极壳电压 (Test voltage U _{TC})	U _{TC} : 3k~6kVac (10s , 20°C) –Test voltage between terminals with case
	1.1 × Un : 30% of on-load duration
	1.15 × Un : 30 min/day
过电压能力 (Maximum Over Voltage)	1.2 × Un : 5 min/day
	1.3 × Un : 1 min/day
	1.5 × Un : 30 ms/time, 1000 times during the life of the capacitor
工作温度 (Operating Temperature)	-40°C ~ 70°C
储存温度 (Storage Temperature)	-40°C ~ 85°C
工作寿命 (Operation Life Time)	30,000 hours (Urms , 70°C)
电极扭矩 (Max. Torque of terminals)	M6 Female screw: 5 Nm , M8 Male screw: 6.5 Nm
安装扭矩 (Max. Torque of installation)	M12/M16 Stud mounting : 10 Nm
产品应用 (Applications)	Wind/Solar Inverter , SVG ,APF, High frequency power supply

❖ 产品编码定义 (Part Number System)

EX: FC52-127J450B190SPA

FC52	-	127	J	450	#	175	#	#
:	:	:	:	:	:	:	:	:
Series	Capacitance	Tolerance	Voltage	Terminal Style	H	Mounting	PA	
	107=100.0μF	J=±5%	Urms	A= M8 Male	Height	C=Clamping	PA: Al.Case	
	108=1000.0μF	K=±10%	VAC	B=M6 Female	See Dimension	S= Stud M12	PT: PVC tube	

Terminal Style B : 3-M6 Female ; Mounting Style S: M12 ×16 or M16 ×25(ΦD=126,136)



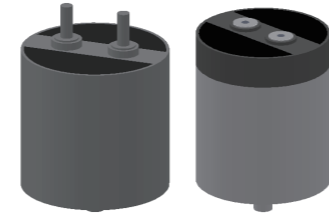
❖ 技术参数 (Technical Characteristics)

Part Number	Cn	Urms	UTC	ESL	ESR	Irms	dv/dt	I peak	Dimension (mm)		
	μF	Vac	Vac	nH	mΩ	A	V/μs	Amps	ΦD	H	P
Urms : 450VAC, U _{TT} : 675VAC or 970VDC , Delta Connection											
FC52-127J450B190SPA	3×120	450	4000	80	1.4	50	45	5400	116	190	36
FC52-207J450B270SPA	3×200	450	4000	100	1.6	60	40	8000	116	270	36
FC52-257J450B270SPA	3×250	450	4000	100	1.5	70	40	10000	136	270	36
Urms : 500VAC, U _{TT} : 750VAC or 1075VDC , Delta Connection											
FC52-756J500B190SPA	3×75	500	4000	80	1.5	45	55	4125	116	190	36
FC52-127J500B270SPA	3×120	500	4000	100	2.0	50	50	6000	116	270	36
FC52-167J500B270SPA	3×160	500	4000	100	1.7	60	50	8000	136	270	36
Urms : 690VAC, U _{TT} : 1035VAC or 1500VDC , Delta Connection											
FC52-286J690B175SPA	3×28	690	4000	80	1.8	40	70	1960	116	175	36
FC52-566J690B270SPA	3×56	690	4000	100	2.2	45	60	3360	116	270	36
FC52-756J690B270SPA	3×75	690	4000	100	2.0	55	60	4500	136	270	36
Urms : 780VAC, U _{TT} : 1070VAC or 1680VDC , Delta Connection											
FC52-206J780B175SPA	3×20	780	4000	80	1.9	40	80	1600	116	175	36
FC52-406J780B270SPA	3×40	780	4000	100	2.2	45	70	2800	116	270	36
FC52-606J780B270SPA	3×60	780	4000	100	2.0	55	70	4200	136	270	36
Urms : 850VAC, U _{TT} : 1275VAC or 1850VDC , Delta Connection											
FC52-186J850B175SPA	3×18	850	4000	80	1.8	35	90	1620	116	175	36
FC52-346J850B270SPA	3×34	850	4000	100	2.5	40	80	2720	116	270	36
FC52-456J850B270SPA	3×45	850	4000	100	2.2	50	80	3600	136	270	36

Dry Film of Single Phase AC filter Capacitor With Aluminum Case

❖ Dimension

❖ 产品简介 (General Description)



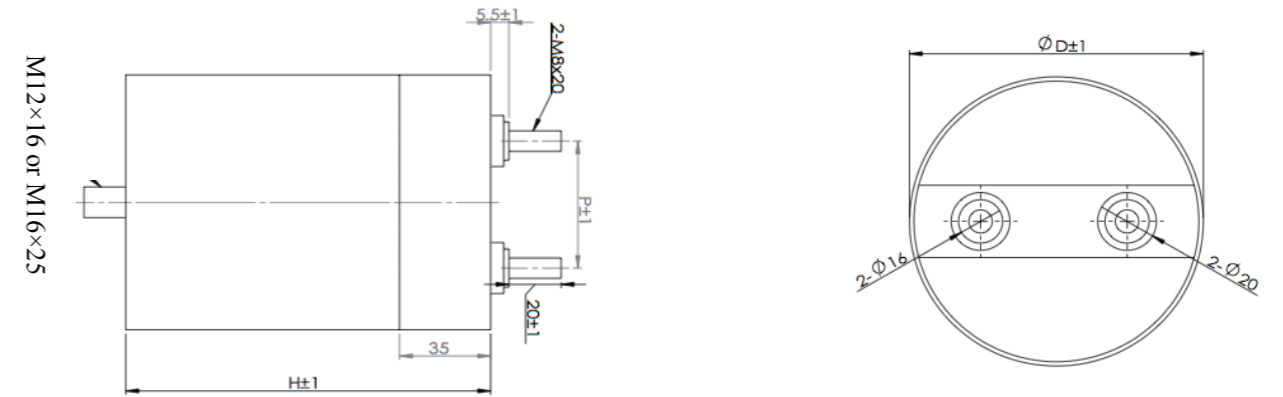
引用标准 (Standard Reference)	IEC 61071 , GB/T 17702
气候类别 (Climatic Category)	40 / 85 / 56
最高使用海拔 (Max . Altitude)	2000 m
介质材料 (Dielectric Material)	金属化聚丙烯膜 (Self-Healing Metallized Polypropylene)
外壳类型 (Case Type)	铝外壳 (Aluminum Case, Resin filled, UL94V-0,PVC Tube on request)
引出电极类型 (Terminals Type)	螺杆或螺母端子 (Male or Female screw terminals)
电容量范围 (Capacitance Range)	Cn: 1μF ~ 500μF
电容量偏差 (Capacitance Tolerance)	J (±5%), K (±10%)
介质损耗角正切值 (Dissipation Factor)	Dielectric Dissipation Factor (tg δ ₀): 0.0002 (1kHz , 20°C)
绝缘电阻 (Insulation Resistance)	IR × Cn : ≥ 10000s (100Vdc, 60s, 20°C)
额定电压 (Rated Voltage)	Un : 200VAC ~ 2000VAC
极间电压 (Test voltage U _{TT})	U _{TT} : 1.5Urms (10s , 20°C) –Test voltage between both terminals
极壳电压 (Test voltage U _{TC})	U _{TC} : 4000Vac (10s , 20°C) –Test voltage between terminals with case
	1.1 × Un : 30% of on-load duration
	1.15 × Un : 30 min/day
过电压能力 (Maximum Over Voltage)	1.2 × Un : 5 min/day
	1.3 × Un : 1 min/day
	1.5 × Un : 30 ms/time, 1000 times during the life of the capacitor
工作温度 (Operating Temperature)	-40°C ~ 70°C
储存温度 (Storage Temperature)	-40°C ~ 85°C
工作寿命 (Operation Life Time)	30,000 hours (Urms , 70°C)
电极扭矩 (Max. Torque of terminals)	M6 Female screw: 5 Nm , M8 Male screw: 6.5 Nm
安装扭矩 (Max. Torque of installation)	M12 Stud mounting : 10 Nm
产品应用 (Applications)	Input or output LC Filter for inverter or motor running

❖ 产品编码定义 (Part Number System)

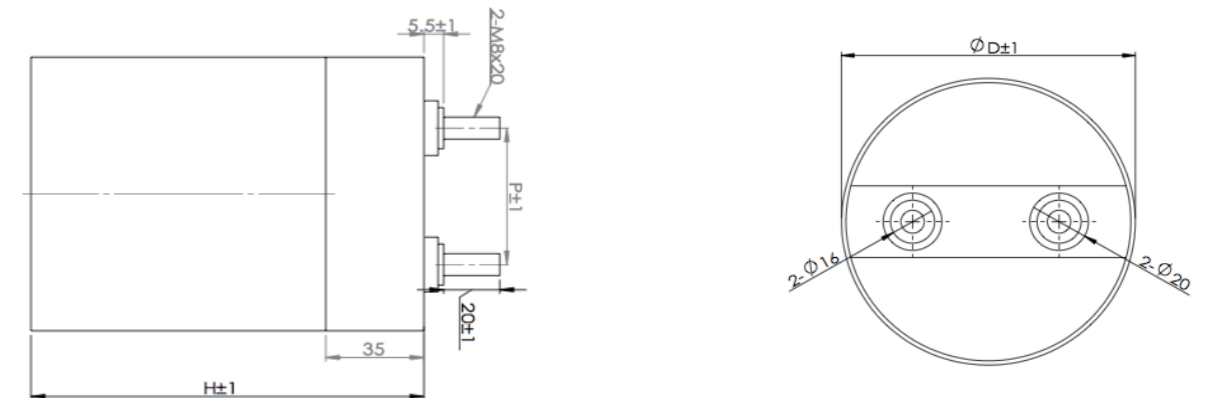
EX: FC53-127J500B175SPA

FC53	-	127	J	500	#	175	#	#
⋮		⋮	⋮	⋮	⋮	⋮	⋮	⋮
Series	Capacitance	Tolerance	Voltage	Terminal Style	H	Mounting	PA	
	107=100.0μF	J=±5%	Urms	A= M8 Male	Height	C=Clamping	PA: Al.Case	
	108=1000.0μF	K=±10%	VAC	B=M6 Female	See Dimension	S= Stud M12	PT: PVC tube	

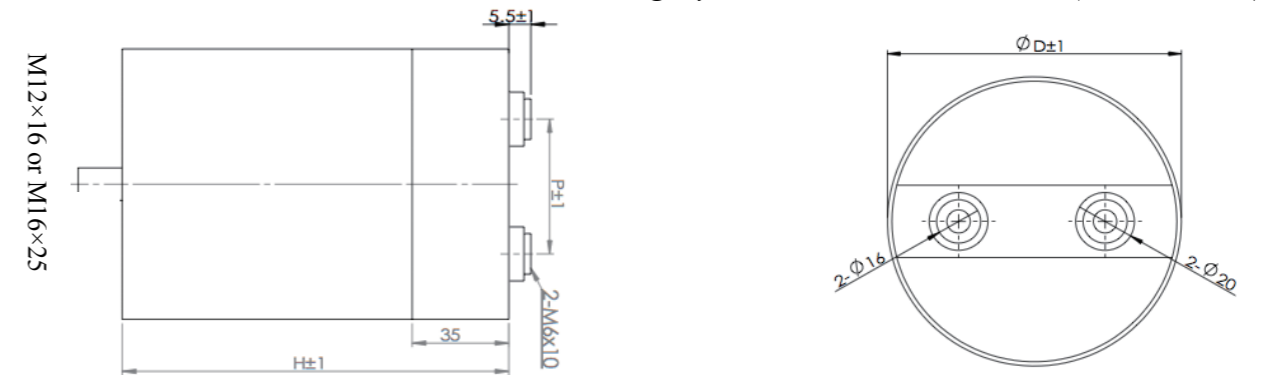
Terminal Style A : M8 Male Screw; Mounting Style S: M12 ×16 or M16 ×25(ΦD=126,136)



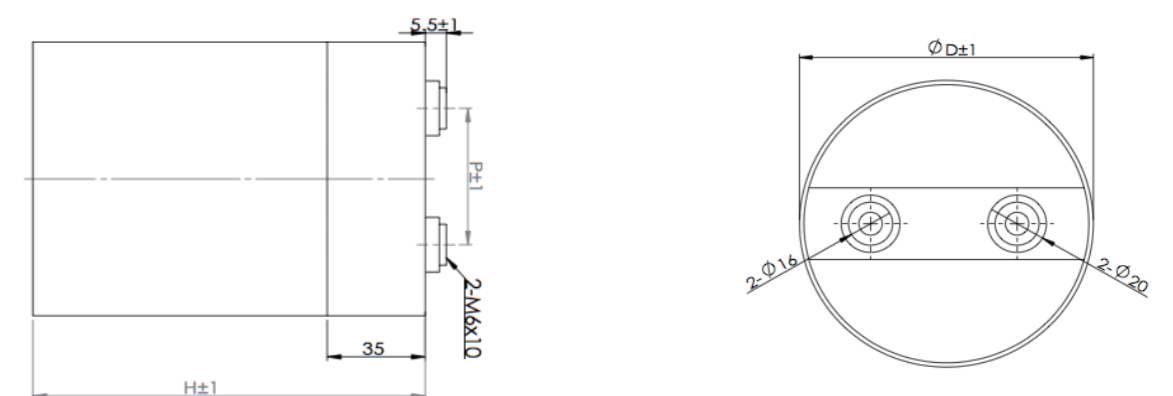
Terminal Style A : M8 Male Screw; Mounting Style C: Clamping



Terminal Style B : M6 Female Screw; Mounting Style S: M12 ×16 or M16 ×25(ΦD=126,136)



Terminal Style B : M6 Female Screw; Mounting Style C: Clamping

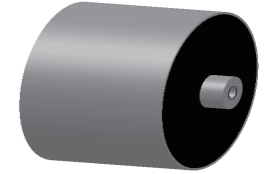


❖ Technical Datasheet

Dry Film of Single Phase AC filter Capacitor With Axial Screw

Part Number	Cn	Urms	UTC	ESL	ESR	Irms	dv/dt	I peak	Dimension (mm)		
	μF	Vac	Vac	nH	mΩ	Max.	V/μs	Amps	ΦD	H	P
Urms : 500VAC, U _{TT} : 750VAC or 1075VDC											
FC53-806J500#125#PA	80	500	4000	50	1.2	40 A	50	4000	86	125	32
FC53-127J500#175#PA	120	500	4000	65	1.6	50 A	40	4800	86	175	32
FC53-157J500#125#PA	150	500	4000	50	1.5	55 A	50	7500	116	125	50
FC53-247J500#175#PA	240	500	4000	65	2.0	80 A	40	9600	116	175	50
Urms : 690VAC, U _{TT} : 1035VAC or 1500VDC											
FC53-306J690#95#PA	30	690	4000	50	3.0	30 A	50	1500	86	95	32
FC53-606J690#175#PA	60	690	4000	65	1.5	50 A	50	3000	86	175	32
FC53-506J690#100#PA	50	690	4000	50	2.2	45 A	50	2500	116	100	50
FC53-107J690#175#PA	100	690	4000	65	1.2	70 A	50	5000	116	175	50
Urms : 780VAC, U _{TT} : 1170VAC or 1680VDC											
FC53-226J780#95#PA	22	780	4000	50	3.2	30 A	60	1320	86	95	32
FC53-456J780#175#PA	45	780	4000	65	1.6	50 A	60	2700	86	175	32
FC53-436J780#100#PA	43	780	4000	50	2.3	45 A	60	2580	116	100	50
FC53-856J780#175#PA	85	780	4000	65	1.2	70 A	60	5100	116	175	50
Urms : 850VAC, U _{TT} : 1275VAC or 1850VDC											
FC53-186J850#95#PA	18	850	4000	50	3.4	25 A	70	1260	86	95	32
FC53-356J850#175#PA	35	850	4000	65	1.6	45 A	70	2450	86	175	32
FC53-346J850#100#PA	34	850	4000	50	2.4	40 A	70	2380	116	100	50
FC53-706J850#175#PA	70	850	4000	65	1.2	60 A	70	4900	116	175	50
Urms : 1000VAC, U _{TT} : 1500VAC or 2200VDC											
FC53-186J1000#125#PA	18	1000	4000	70	4.0	25 A	80	1440	86	125	32
FC53-356J1000#225#PA	35	1000	4000	80	2.0	45 A	80	2800	86	225	32
FC53-326J1000#125#PA	32	1000	4000	70	3.0	40 A	80	2560	116	125	50
FC53-656J1000#225#PA	65	1000	4000	80	1.5	60 A	80	5200	116	225	50
Urms : 1200VAC, U _{TT} : 1800VAC or 2600VDC											
FC53-126J1200#125#PA	12	1200	4000	70	4.2	25 A	90	1080	86	125	32
FC53-256J1200#225#PA	25	1200	4000	80	2.2	45 A	90	2250	86	225	32
FC53-256J1200#125#PA	25	1200	4000	70	3.2	40 A	90	2250	116	125	50
FC53-506J1200#225#PA	50	1200	4000	80	1.6	60 A	90	4500	116	225	50
Urms : 1500VAC, U _{TT} : 2250VAC or 3300VDC											
FC53-805J1500#125#PA	8	1500	4000	70	4.8	20 A	100	800	86	125	32
FC53-176J1500#225#PA	17	1500	4000	80	2.5	38 A	100	1700	86	225	32
FC53-156J1500#125#PA	15	1500	4000	70	3.5	35 A	100	1500	116	125	50
FC53-306J1500#225#PA	30	1500	4000	80	1.8	55 A	100	3000	116	225	50

❖ 产品简介 (General Description)



引用标准 (Standard Reference)	IEC 61071 , GB/T 17702
气候类别 (Climatic Category)	40 / 85 / 56
最高使用海拔 (Max . Altitude)	2000 m
介质材料 (Dielectric Material)	金属化聚丙烯膜 (Self-Healing Metallized Polypropylene)
外壳类型 (Case Type)	胶带或塑料外壳 (Polyester tape or Plastic Case, Resin filled, UL94V-0)
引出电极类型 (Terminals Type)	螺杆或螺母端子 (Male or Female screw terminals)
电容量范围 (Capacitance Range)	Cn: 1.0μF ~ 500μF (1kHz , 20°C)
电容量偏差 (Capacitance Tolerance)	J (±5%), K (±10%)
介质损耗角正切值 (Dissipation Factor)	Dielectric Dissipation Factor (tg δ ₀): 0.0002 (1kHz , 20°C)
绝缘电阻 (Insulation Resistance)	IR × Cn : ≥10000s (100Vdc, 60s, 20°C)
额定电压 (Rated Voltage)	Un : 200VAC ~ 2000VAC
极间电压 (Test voltage U _{TT})	U _{TT} : 1.5Urms (10s , 20°C) – Test voltage between both terminals
极壳电压 (Test voltage U _{TC})	U _{TC} : 3000Vac (10s , 20°C) – Test voltage between terminals with case
	1.1 × Un : 30% of on-load duration
	1.15 × Un : 30 min/day
过电压能力 (Maximum Over Voltage)	1.2 × Un : 5 min/day
	1.3 × Un : 1 min/day
	1.5 × Un : 30 ms/time, 1000 times during the life of the capacitor
工作温度 (Operating Temperature)	- 40°C~85°C
工作寿命 (Operation Life Time)	30,000 hours (Urms , 70°C)
电极扭矩 (Max. Torque of terminals)	M6 Female screw: 3.5 Nm , M8 Female screw: 5.0 Nm
安装扭矩 (Max. Torque of installation)	Installation hole : 3.0 Nm
产品应用 (Applications)	Input or output LC Filter for inverter or motor running

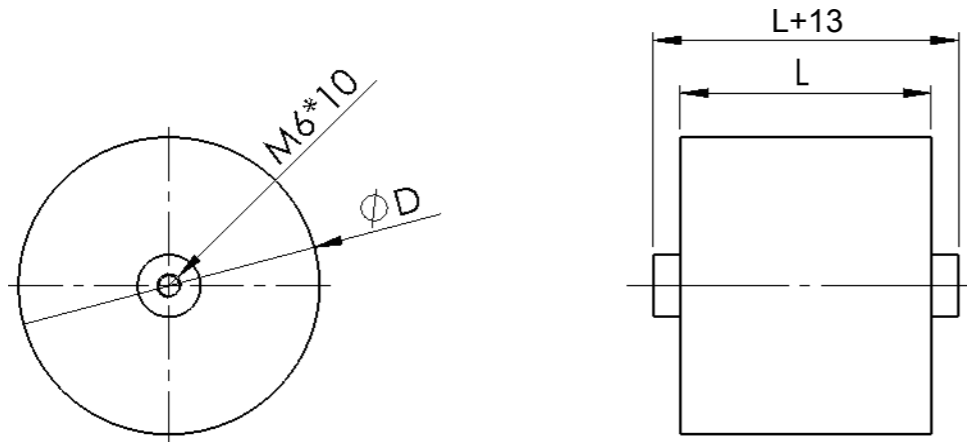
❖ 产品编码定义 (Part Number System)

EX: FC54-107J250B50S068

FC54	-	107	J	250	B	50	#	#
:	:	:	:	:	:	:	:	:
Series	Capacitance	Tolerance	Voltage	Style	L	Mounting	Diameter	
	106=10.0μF	J=±5%	Urms	B=M6 Female	Length	Style	ΦD	
	107=100.0μF	K=±10%	VAC	C=Lug Terminal		S0, S1		

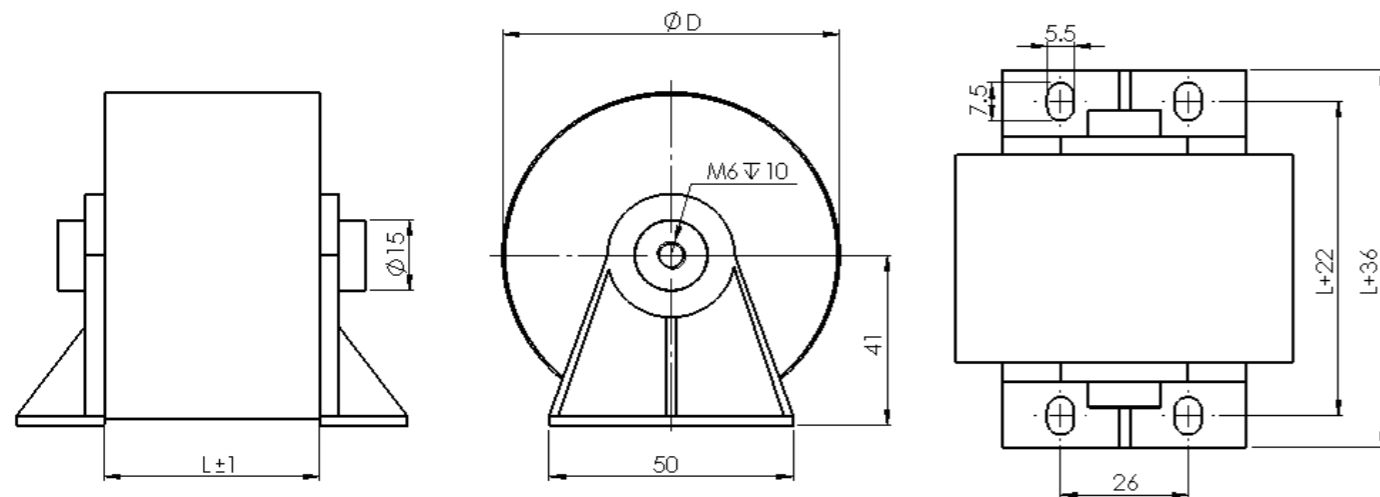
Style B: Female Screw (Output : M6), Mounting Style: S0

Unit: mm



Style B: Female Screw (Output : M6), Mounting Style: S1

Unit: mm



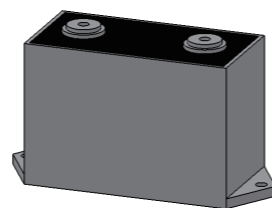
❖ 技术参数 (Technical Characteristics)

Part Number	Cn	Urms	UTC	ESL	ESR	Irms	dv/dt	I peak	Dimension (mm)	
	μF	Vac	Vac	nH	mΩ	Max.	V/μs	Amps	ΦD	L
Urms : 250VAC, UTT : 375VAC or 540VDC										
FC54-206J250B35#42	20	250	3000	20	2.0	20A	40	800	42	35
FC54-256J250B35#46	25	250	3000	20	1.8	25A	40	1000	46	35
FC54-306J250B35#50	30	250	3000	20	1.5	30A	40	1200	50	35
FC54-406J250B40#52	40	250	3000	25	1.7	35A	30	1200	52	40
FC54-506J250B40#58	50	250	3000	25	1.5	40A	30	1500	58	40
FC54-606J250B40#62	60	250	3000	25	1.4	45A	30	1800	62	40
FC54-806J250B50#62	80	250	3000	35	1.7	45A	25	2000	62	50
FC54-107J250B50#68	100	250	3000	35	1.5	50A	25	2500	68	50
FC54-157J250B60#74	150	250	3000	40	1.6	50A	20	3000	74	60
FC54-207J250B60#84	200	250	3000	40	1.3	60A	20	4000	84	60

Part Number	Cn	Urms	UTC	ESL	ESR	Irms	dv/dt	I peak	Dimension (mm)	
	μF	Vac	Vac	nH	mΩ	Max.	V/μs	Amps	ΦD	L
Urms : 300VAC, UTT : 450VAC or 650VDC										
FC54-206J300B40#38	20	300	3000	25	3.0	18A	40	800	38	40
FC54-256J300B40#45	25	300	3000	25	2.5	22A	40	1000	45	40
FC54-306J300B40#50	30	300	3000	25	2.0	28A	40	1200	50	40
FC54-406J300B40#55	40	300	3000	25	1.8	35A	40	1600	55	40
FC54-506J300B40#62	50	300	3000	25	1.5	40A	40	2000	62	40
FC54-606J300B40#70	60	300	3000	25	1.6	45A	40	2400	70	40
FC54-806J300B50#68	80	300	3000	35	1.5	45A	30	2400	68	50
FC54-107J300B50#73	100	300	3000	35	1.8	43A	30	3000	73	50
FC54-157J300B60#72	150	300	3000	40	1.5	50A	25	3750	72	60
Urms : 450VAC, UTT : 680VAC or 970VDC										
FC54-206J450B40#58	20	450	3000	25	2.0	30A	45	900	58	40
FC54-256J450B40#65	25	450	3000	25	1.8	35A	45	1125	65	40
FC54-306J450B40#71	30	450	3000	25	1.6	45A	45	1350	71	40
FC54-406J450B50#70	40	450	3000	35	2.0	43A	40	1600	70	50
FC54-506J450B50#78	50	450	3000	35	1.7	50A	40	2000	78	50
FC54-606J450B60#75	60	450	3000	40	2.0	48A	35	2100	75	60
FC54-806J450B60#86	80	450	3000	40	1.8	55A	35	2800	86	60
FC54-107J450B85#78	100	450	3000	50	2.8	50A	25	2500	78	85
FC54-157J450B85#85	150	450	3000	50	2.5	55A	25	3750	85	85
Urms : 500VAC, UTT : 750VAC or 1075VDC										
FC54-156J500B40#64	15	500	3000	25	2.0	28A	50	750	64	40
FC54-206J500B40#74	20	500	3000	25	1.7	38A	50	1000	74	40
FC54-256J500B50#69	25	500	3000	35	2.2	35A	45	1125	69	50
FC54-306J500B50#75	30	500	3000	35	2.0	40A	45	1350	75	50
FC54-406J500B60#77	40	500	3000	40	2.2	45A	40	1600	77	60
FC54-506J500B60#85	50	500	3000	40	2.0	50A	40	2000	85	60
FC54-606J500B85#75	60	500	3000	50	3.5	40A	30	1800	75	85
FC54-806J500B85#86	80	500	3000	50	2.8	45A	30	2400	86	85
FC54-906J500B85#92	90	500	3000	50	2.5	50A	30	2700	92	85
Urms : 700VAC, UTT : 1050VAC or 1500VDC										
FC54-505J700B57#45	5	700	3000	30	3.8	18A	70	350	45	57
FC54-805J700B57#56	8	700	3000	30	2.9	25A	70	560	56	57
FC54-106J700B57#63	10	700	3000	30	2.6	30A	70	700	63	57
FC54-156J700B57#76	15	700	3000	30	2.2	35A	70	1050	76	57
FC54-206J700B57#88	20	700	3000	30	2.0	40A	70	1400	88	57
FC54-256J700B85#71	25	700	3000	50	3.2	35A	60	1500	71	85
FC54-306J700B85#78	30	700	3000	50	2.8	40A	60	1800	78	85
FC54-356J700B85#84	35	700	3000	50	2.6	45A	60	2100	84	85
FC54-406J700B85#90	40	700	3000	50	2.5	48A	60	2400	90	85

❖ 产品简介 (General Description)

引用标准 (Standard Reference)	IEC 61071 , GB/T 17702
气候类别 (Climatic Category)	40 / 85 / 56
最高使用海拔 (Max . Altitude)	2000 m
介质材料 (Dielectric Material)	金属化聚丙烯膜 (Self-Healing Metallized Polypropylene)
外壳类型 (Case Type)	塑料外壳 (Plastic Case, Resin filled, UL94V-0)
引出电极类型 (Terminals Type)	螺杆或螺母端子 (Male or Female screw terminals)
电容量范围 (Capacitance Range)	Cn: 0.01μF ~ 10μF (1kHz , 20°C)
电容量偏差 (Capacitance Tolerance)	J (±5%), K (±10%)
介质损耗角正切值 (Dissipation Factor)	Dielectric Dissipation Factor (tg δ ₀): 0.0002 (1kHz , 20°C)
绝缘电阻 (Insulation Resistance)	IR × Cn : ≥10000s (100Vdc, 60s, 20°C)
额定电压 (Rated Voltage)	Urms : 500VAC ~ 3000VAC
极间电压 (Test voltage U _{TT})	U _{TT} : 1.5Urms (10s , 20°C) -Test voltage between both terminals
极壳电压 (Test voltage U _{TC})	U _{TC} : 4000Vac (10s , 20°C) -Test voltage between terminals with case
	1.1 × U _n : 30% of on-load duration
	1.15 × U _n : 30 min/day
过电压能力 (Maximum Over Voltage)	1.2 × U _n : 5 min/day
	1.3 × U _n : 1 min/day
	1.5 × U _n : 30 ms/time, 1000 times during the life of the capacitor
工作温度 (Operating Temperature)	- 40°C ~ 85°C
工作寿命 (Operation Life Time)	100,000 hours (U _n , 70°C), 30,000 hours (Urms , 70°C)
电极扭矩 (Max. Torque of terminals)	M6 Female screw: 3.5 Nm , M8 Female screw: 5.0 Nm
安装扭矩 (Max. Torque of installation)	Installation hole : 3.0 Nm
产品应用 (Applications)	L.C. Series of Resoance Circuit, IGCT/GTO/SCR Snubber etc..



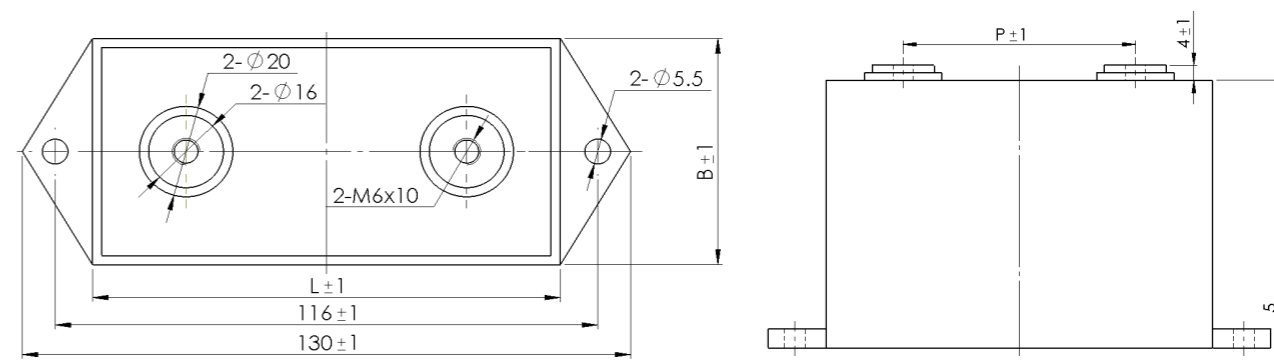
❖ 产品编码定义 (Part Number System)

EX: FC55-105J1500B100

FC55	-	105	J	1500	B	100
⋮		⋮	⋮	⋮	⋮	⋮
Series		Capacitance	Tolerance	Voltage	Style	L
		104=0.1μF	J=±5%	Urms	A=M8 Male	Length
		105=1.0μF	K=±10%	Vac	B=M6 Female	

Style B: Female Screw (Output : M6)

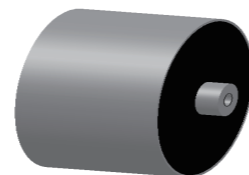
Unit: mm



Part Number	Cn	Vrms	ESL	Irms	dv/dt	I peak	Dimension (mm)			
	μF	Vac	nH	Max.	V/μs	Amps	L	B	H	P
Urms : 600VAC, U _{TT} : 900Vac										
FC55-405J600B100	4.0	600	28	70A	800	3200	100	50	70	60
FC55-505J600B100	5.0	600	28	80A	800	4000	100	50	70	60
FC55-605J600B100	6.0	600	28	90A	800	4800	100	50	70	60
FC55-685J600B100	6.8	600	28	100A	800	5440	100	50	70	60
Urms : 800VAC, U _{TT} : 1200Vac										
FC55-255J800B100	2.5	800	28	60A	1100	2750	100	50	70	60
FC55-305J800B100	3.0	800	28	70A	1100	3300	100	50	70	60
FC55-355J800B100	3.5	800	28	80A	1100	3850	100	50	70	60
FC55-405J800B100	4.0	800	28	90A	1100	4400	100	50	70	60
Urms : 1000VAC, U _{TT} : 1500Vac										
FC55-105J1000B100	1.0	1000	26	60A	1200	1200	100	50	70	60
FC55-125J1000B100	1.2	1000	26	70A	1200	1440	100	50	70	60
FC55-155J1000B100	1.5	1000	26	80A	1200	1800	100	50	70	60
FC55-185J1000B100	1.8	1000	26	90A	1200	2160	100	50	70	60
Urms : 1200VAC, U _{TT} : 1800Vac										
FC55-824J1200B100	0.82	1200	26	50A	1400	1148	100	50	70	60
FC55-105J1200B100	1.0	1200	26	60A	1400	1400	100	50	70	60
FC55-125J1200B100	1.2	1200	26	70A	1400	1680	100	50	70	60
FC55-155J1200B100	1.5	1200	26	80A	1400	2100	100	50	70	60
Urms : 1500VAC, U _{TT} : 2250Vac										
FC55-684J1500B100	0.68	1500	26	50A	1500	1020	100	50	70	60
FC55-824J1500B100	0.82	1500	26	60A	1500	1230	100	50	70	60
FC55-105J1500B100	1.0	1500	26	70A	1500	1500	100	50	70	60
FC55-105J1500B100	1.2	1500	26	80A	1500	1800	100	50	70	60
Urms : 2000VAC, U _{TT} : 3000Vac										
FC55-334J2000B100	0.33	2000	26	40A	2000	660	100	50	70	60
FC55-474J2000B100	0.47	2000	26	50A	2000	940	100	50	70	60
FC55-504J2000B100	0.5	2000	26	60A	2000	1000	100	50	70	60
FC55-604J2000B100	0.6	2000	26	70A	2000	1200	100	50	70	60

❖ 产品简介 (General Description)

引用标准 (Standard Reference)	IEC 61071 , GB/T 17702
气候类别 (Climatic Category)	40 / 85 / 56
最高使用海拔 (Max . Altitude)	2000 m
介质材料 (Dielectric Material)	金属化聚丙烯膜 (Self-Healing Metallized Polypropylene)
外壳类型 (Case Type)	胶带或塑料外壳 (Polyester tape or Plastic Case, Resin filled, UL94V-0)
引出电极类型 (Terminals Type)	螺杆或螺母端子 (Male or Female screw terminals)
电容量范围 (Capacitance Range)	Cn: 0.01μF ~ 200μF (1kHz , 20°C)
电容量偏差 (Capacitance Tolerance)	J (±5%), K (±10%)
介质损耗角正切值 (Dissipation Factor)	Dielectric Dissipation Factor (tg δ ₀): 0.0002 (1kHz , 20°C)
绝缘电阻 (Insulation Resistance)	IR × Cn : ≥10000s (100Vdc, 60s, 20°C)
额定电压 (Rated Voltage)	Un : 500VDC ~ 10000VDC
极间电压 (Test voltage U _{TT})	U _{TT} : 1.5Un (10s , 20°C) -Test voltage between both terminals
极壳电压 (Test voltage U _{TC})	U _{TC} : 3000Vac (10s , 20°C) -Test voltage between terminals with case
	1.1 × Un : 30% of on-load duration
	1.15 × Un : 30 min/day
过电压能力 (Maximum Over Voltage)	1.2 × Un : 5 min/day
	1.3 × Un : 1 min/day
	1.5 × Un : 30 ms/time, 1000 times during the life of the capacitor
工作温度 (Operating Temperature)	- 40°C ~ 85°C
工作寿命 (Operation Life Time)	100,000 hours (Un , 70°C), 30,000 hours (Urms , 70°C)
电极扭矩 (Max. Torque of terminals)	M6 Female screw: 3.5 Nm , M8 Female screw: 5.0 Nm
安装扭矩 (Max. Torque of installation)	Installation hole : 3.0 Nm
产品应用 (Applications)	L.C Series of Resoance Circuit, IGCT/GTO/SCR Snubber etc..



❖ 产品编码定义 (Part Number System)

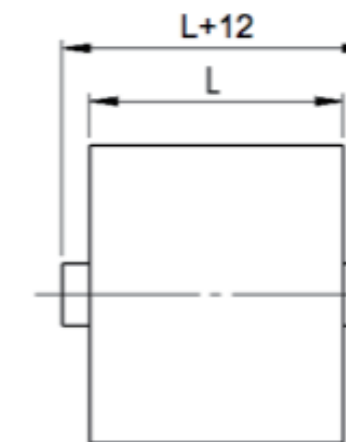
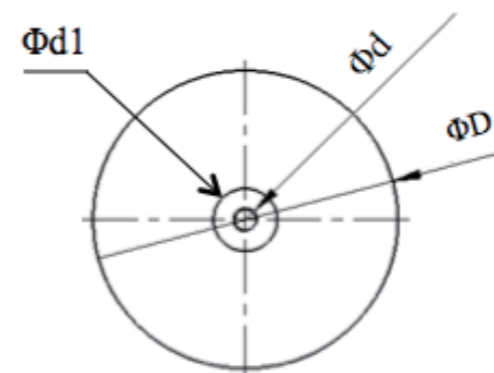
EX: FC56-105J1200BD40S036

FC56	-	105	J	1200	D	B	50	#	#
⋮	⋮	⋮	⋮	⋮	⋮	⋮	⋮	⋮	⋮
Series	Capacitance	Tolerance	Voltage	Voltage type	Style	L	Style	Diameter	
	105=1.0μF	J=±5%	Un or Urms	D= Vdc, Un	B=M6/M8 Female	Length	S0, S1	ΦD	
	106=10.0μF	K=±10%	Vdc or Vac	R= Vac, Urms	C=Lug Screw				

Style B: Female Screw (Output : M6 or M8), Mounting Style: S0

Unit: mm

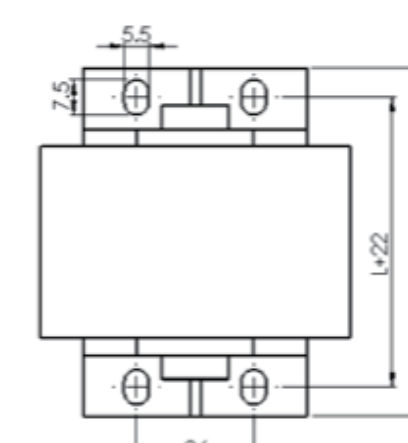
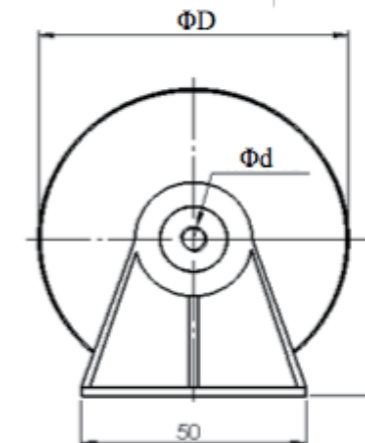
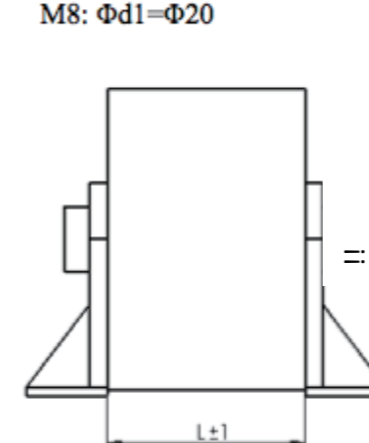
M6: Φd1=Φ15
M8: Φd1=Φ20



Style B: Female Screw (Output : M6 or M8), Mounting Style: S1

Unit: mm

M6: Φd1=Φ15
M8: Φd1=Φ20



❖ 技术参数 (Technical Characteristics)

Part Number	Cn	Un	Vrms	ESL	Irms	dv/dt	I peak	Dimension (mm)		
	μF	Vdc	Vac	nH	Max.	V/μs	Amps	ΦD	L	Φd
Un : 1200VDC , Urms : 500VAC, U _{TT} : 1800VDC										
FC56-474J1200DB40#30	0.47	1200	500	20	20A	1200	564	30	40	M6*10
FC56-105J1200DB40#36	1.0	1200	500	20	25A	1200	1200	36	40	M6*10
FC56-155J1200DB40#44	1.5	1200	500	20	30A	1200	1800	44	40	M6*10
FC56-205J1200DB40#50	2.0	1200	500	20	35A	1200	2400	50	40	M6*10
FC56-255J1200DB40#56	2.5	1200	500	20	40A	1200	3000	56	40	M6*10
FC56-305J1200DB40#62	3.0	1200	500	20	45A	1200	3600	62	40	M6*10
FC56-405J1200DB40#70	4.0	1200	500	20	50A	1200	4800	70	40	M6*10
FC56-505J1200DB40#78	5.0	1200	500	20	55A	1200	6000	78	40	M6*10
FC56-605J1200DB40#86	6.0	1200	500	20	60A	1200	7200	86	40	M8*10
FC56-705J1200DB40#92	7.0	1200	500	20	70A	1200	8400	92	40	M8*10

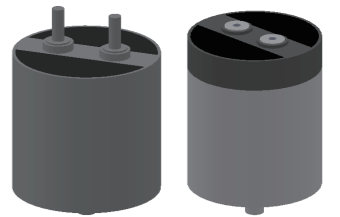
❖ Technical Datasheet

R.C. Snubber Capacitor for Protecting IGCT/GTO/SCR Components

Part Number	Cn	Un	Vrms	ESL	Irms	dv/dt	I peak	Dimension (mm)		
	μF	Vdc	Vac	nH	Max.	V/μs	Amps	ΦD	L	Φd
Un : 1200VDC , Urms : 500VAC, U _{TT} : 1800VDC										
FC56-805J1200DB40#100	8.0	1200	500	20	80A	1200	9600	100	40	M8*10
FC56-905J1200DB40#105	9.0	1200	500	20	90A	1200	10800	105	40	M8*10
FC56-106J1200DB40#110	10	1200	500	20	100A	1200	12000	110	40	M8*10
Un : 2000VDC , Urms : 650VAC, U _{TT} : 3000VDC										
FC56-604J2000DB40#38	0.6	2000	650	20	25A	1500	900	38	40	M6*10
FC56-804J2000DB40#43	0.8	2000	650	20	30A	1500	1200	43	40	M6*10
FC56-105J2000DB40#47	1.0	2000	650	20	35A	1500	1500	47	40	M6*10
FC56-155J2000DB40#58	1.5	2000	650	20	45A	1500	2250	58	40	M6*10
FC56-205J2000DB40#66	2.0	2000	650	20	52A	1500	3000	66	40	M6*10
FC56-255J2000DB40#74	2.5	2000	650	20	60A	1500	3750	74	40	M6*10
FC56-305J2000DB40#80	3.0	2000	650	20	65A	1500	4500	80	40	M6*10
FC56-355J2000DB40#87	3.5	2000	650	20	70A	1500	5250	87	40	M8*10
FC56-405J2000DB40#93	4.0	2000	650	20	80A	1500	6000	93	40	M8*10
FC56-505J2000DB40#104	5.0	2000	650	20	90A	1500	7500	104	40	M8*10
FC56-605J2000DB40#114	6.0	2000	650	20	100A	1500	9000	114	40	M8*10
Un : 2500VDC , Urms : 750VAC, U _{TT} : 3750VDC										
FC56-504J2500DB40#50	0.5	2500	750	20	40A	1800	900	50	40	M6*10
FC56-604J2500DB40#55	0.6	2500	750	20	45A	1800	1080	55	40	M6*10
FC56-704J2500DB40#60	0.7	2500	750	20	50A	1800	1260	60	40	M6*10
FC56-804J2500DB40#63	0.8	2500	750	20	55A	1800	1440	63	40	M6*10
FC56-904J2500DB40#67	0.9	2500	750	20	60A	1800	1620	67	40	M6*10
FC56-105J2500DB40#70	1.0	2500	750	20	65A	1800	1800	70	40	M6*10
FC56-125J2500DB40#77	1.2	2500	750	20	70A	1800	2160	77	40	M6*10
FC56-155J2500DB40#85	1.5	2500	750	20	80A	1800	2700	85	40	M8*10
FC56-205J2500DB40#98	2.0	2500	750	20	90A	1800	3600	98	40	M8*10
Un : 3000VDC , Urms : 1500VAC, U _{TT} : 4500VDC										
FC56-304J3000DB44#56	0.3	3000	1500	25	40A	2000	600	56	44	M6*10
FC56-404J3000DB44#65	0.4	3000	1500	25	50A	2000	800	65	44	M6*10
FC56-504J3000DB44#72	0.5	3000	1500	25	60A	2000	1000	72	44	M6*10
FC56-604J3000DB44#80	0.6	3000	1500	25	70A	2000	1200	80	44	M6*10
FC56-804J3000DB44#92	0.8	3000	1500	25	80A	2000	1600	92	44	M8*10
FC56-105J3000DB44#102	1.0	3000	1500	25	90A	2000	2000	102	44	M8*10
Un : 5000VDC , Urms : 2000VAC, U _{TT} : 7500VDC										
FC56-603J5000DB57#45	0.06	5000	2000	30	35A	3000	180	45	57	M6*10
FC56-803J5000DB57#52	0.08	5000	2000	30	40A	3000	240	52	57	M6*10
FC56-104J5000DB57#57	0.1	5000	2000	30	45A	3000	300	57	57	M6*10
FC56-124J5000DB57#62	0.12	5000	2000	30	55A	3000	360	62	57	M6*10
FC56-204J5000DB57#80	0.2	5000	2000	30	70A	3000	600	80	57	M8*10
FC56-304J5000DB57#98	0.3	5000	2000	30	80A	3000	900	98	57	M8*10

❖ 产品简介 (General Description)

引用标准 (Standard Reference)	IEC 61071 , GB/T 17702
气候类别 (Climatic Category)	40 / 85 / 56
最高使用海拔 (Max . Altitude)	2000 m
介质材料 (Dielectric Material)	金属化聚丙烯膜 (Self-Healing Metallized Polypropylene)
外壳类型 (Case Type)	铝外壳 (Aluminum Case, Resin filled, UL94V-0,PVC Tube on request)
引出电极类型 (Terminals Type)	螺杆或螺母端子 (Male or Female screw terminals)
电容量范围 (Capacitance Range)	Cn: 0.01μF ~ 20μF (1kHz , 20°C)
电容量偏差 (Capacitance Tolerance)	J (±5%), K (±10%)
介质损耗角正切值 (Dissipation Factor)	Dielectric Dissipation Factor (tg δ ₀): 0.0002 (1kHz , 20°C)
绝缘电阻 (Insulation Resistance)	IR × Cn : ≥ 10000s (100Vdc, 60s, 20°C)
额定电压 (Rated Voltage)	Urms : 500VAC ~ 4000VAC
极间电压 (Test voltage U _{TT})	U _{TT} : 1.5Urms (10s , 20°C) –Test voltage between both terminals
极壳电压 (Test voltage U _{TC})	U _{TC} : 4000Vac (10s , 20°C) –Test voltage between terminals with case
	1.1 × Un : 30% of on-load duration
	1.15 × Un : 30 min/day
过电压能力 (Maximum Over Voltage)	1.2 × Un : 5 min/day
	1.3 × Un : 1 min/day
	1.5 × Un : 30 ms/time, 1000 times during the life of the capacitor
工作温度 (Operating Temperature)	-40°C ~ 70°C
储存温度 (Storage Temperature)	-40°C ~ 85°C
工作寿命 (Operation Life Time)	30,000 hours (Urms , 70°C)
电极扭矩 (Max. Torque of terminals)	M6 Female screw: 5 Nm , M8 Male screw: 6.5 Nm
安装扭矩 (Max. Torque of installation)	M12 Stud mounting : 10 Nm
产品应用 (Applications)	Protect IGCT/GTO/SCR Components,High Current AC Filter



❖ 产品编码定义 (Part Number System)

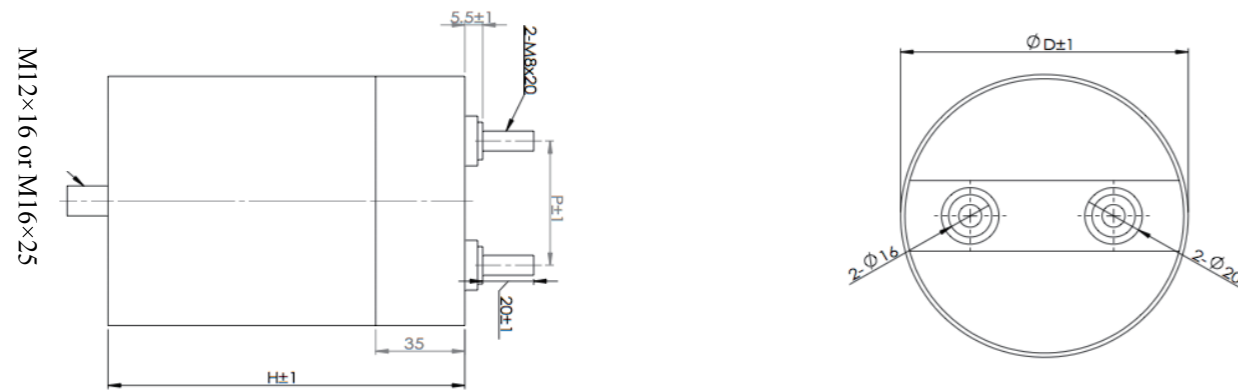
EX: FC62-205J1900A90SPA

FC62	-	205	J	1900	#	90	#	#
⋮	⋮	⋮	⋮	⋮	⋮	⋮	⋮	⋮
Series	Capacitance	Tolerance	Voltage	Terminal Style	H	Mounting	PA	
	107=100.0μF	J=±5%	Urms	A= M8 Male	Height	C=Clamping	PA: Al.Case	
	108=1000.0μF	K=±10%	VAC	B=M6 Female	See Dimension	S= Stud M12	PT: PVC tube	

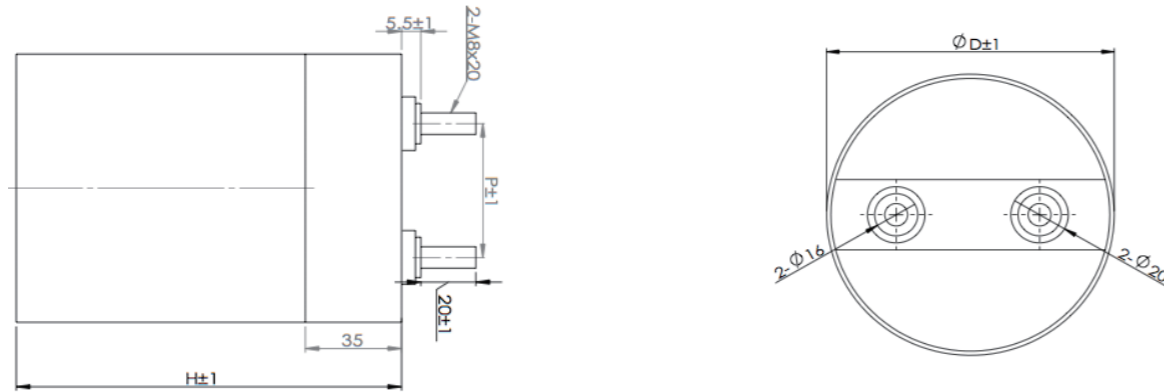
❖ Dimension

❖ Technical Datasheet

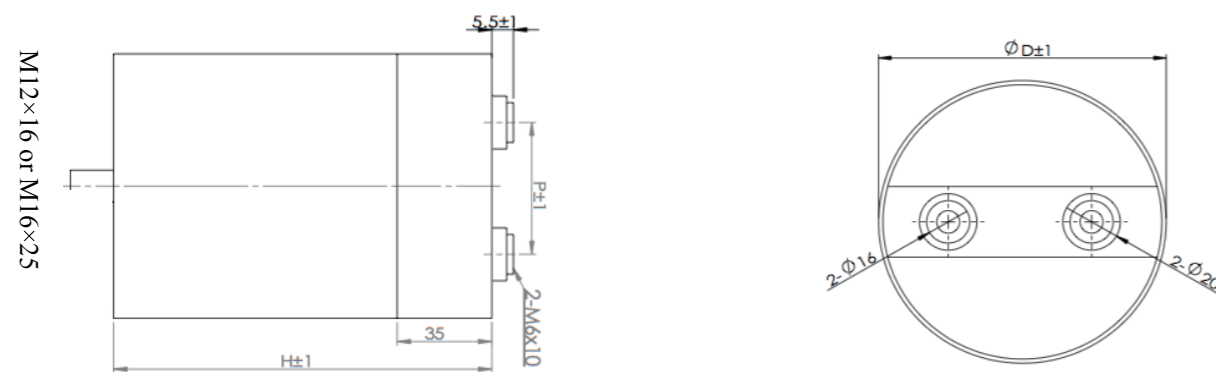
Terminal Style A : M8 Male Screw; Mounting Style S: M12 ×16 or M16 ×25(ΦD=126,136)



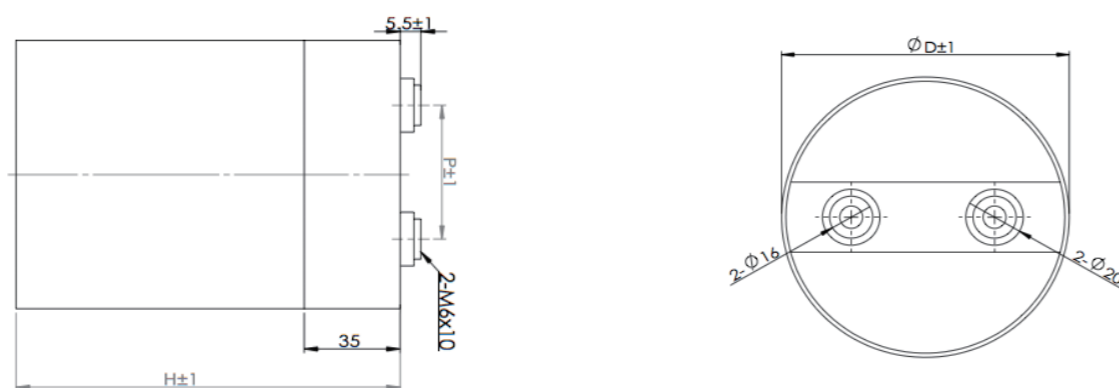
Terminal Style A : M8 Male Screw; Mounting Style C: Clamping



Terminal Style B : M6 Female Screw; Mounting Style S: M12 ×16 or M16 ×25(ΦD=126,136)



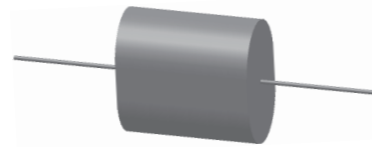
Terminal Style B : M6 Female Screw; Mounting Style C: Clamping



Part Number	Cn	Urms	UTC	ESL	ESR	Irms	dv/dt	I peak	Dimension (mm)		
	μF	Vac	Vac	nH	mΩ	Max.	V/μs	Amps	ΦD	H	P
Urms : 1900VAC, U _{TT} : 2850VAC											
FC62-155J1900#90#PA	1.5	1900	4000	50	3.6	30A	1200	1800	86	90	32
FC62-205J1900#90#PA	2.0	1900	4000	50	3.4	40A	1200	2400	96	90	45
FC62-305J1900#90#PA	3.0	1900	4000	50	3.3	55A	1200	3600	116	90	50
FC62-355J1900#155#PA	3.5	1900	4000	70	1.8	45A	1200	4200	86	155	32
FC62-455J1900#155#PA	4.5	1900	4000	70	1.7	60A	1200	5400	96	155	45
FC62-685J1900#155#PA	6.8	1900	4000	70	1.6	70A	1200	8160	116	155	50
Urms : 2200VAC, U _{TT} : 3300VAC											
FC62-185J2200#125#PA	1.8	2200	4000	60	5.0	30A	1500	2700	86	125	32
FC62-255J2200#125#PA	2.5	2200	4000	60	4.8	40A	1500	3750	96	125	45
FC62-355J2200#125#PA	3.5	2200	4000	60	4.6	55A	1500	5250	116	125	50
FC62-305J2200#225#PA	3.0	2200	4000	80	2.6	45A	1500	4500	86	225	32
FC62-505J2200#225#PA	5.0	2200	4000	80	2.4	60A	1500	7500	96	225	45
FC62-705J2200#225#PA	7.0	2200	4000	80	2.3	70A	1500	10500	116	225	50
Urms : 2500VAC, U _{TT} : 3750VAC											
FC62-155J2500#125#PA	1.5	2500	4500	60	5.0	30A	1700	2550	86	125	32
FC62-205J2500#125#PA	2.0	2500	4500	60	4.8	40A	1700	3400	96	125	45
FC62-305J2500#125#PA	3.0	2500	4500	60	4.6	55A	1700	5100	116	125	50
FC62-285J2500#225#PA	2.8	2500	4500	80	2.6	45A	1700	4760	86	225	32
FC62-405J2500#225#PA	4.0	2500	4500	80	2.4	60A	1700	6800	96	225	45
FC62-605J2500#225#PA	6.0	2500	4500	80	2.3	70A	1700	10200	116	225	50
Urms : 2800VAC, U _{TT} : 4200VAC											
FC62-105J2800#125#PA	1.0	2800	5000	60	5.2	30A	2000	2000	86	125	32
FC62-125J2800#125#PA	1.2	2800	5000	60	5.0	40A	2000	2400	96	125	45
FC62-185J2800#125#PA	1.8	2800	5000	60	4.8	55A	2000	3600	116	125	50
FC62-205J2800#225#PA	2.0	2800	5000	80	2.6	45A	2000	4000	86	225	32
FC62-255J2800#225#PA	2.5	2800	5000	80	2.5	60A	2000	5000	96	225	45
FC62-405J2800#225#PA	4.0	2800	5000	80	2.4	70A	2000	8000	116	225	50
Urms : 3600VAC, U _{TT} : 5250VAC											
FC62-824J3600#155#PA	0.82	3600	5500	70	7.0	25A	2400	1968	86	155	32
FC62-125J3600#155#PA	1.2	3600	5500	70	6.8	35A	2400	2880	96	155	45
FC62-175J3600#155#PA	1.7	3600	5500	70	6.5	40A	2400	4080	116	155	50
FC62-105J3600#225#PA	1.0	3600	5500	80	10.0	30A	2400	2400	86	225	32
FC62-155J3600#225#PA	1.5	3600	5500	80	9.5	40A	2400	3600	96	225	45
FC62-225J3600#225#PA	2.2	3600	5500	80	9.2	50A	2400	5280	116	225	50

❖ 产品简介 (General Description)

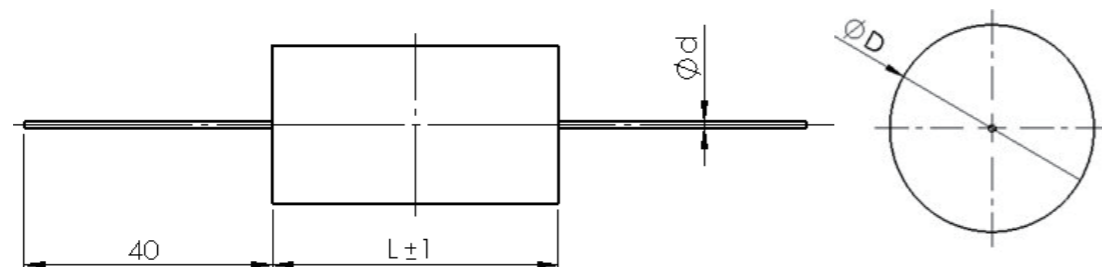
引用标准 (Standard Reference)	IEC 61071 , GB/T 17702
气候类别 (Climatic Category)	40 / 85 / 56
介质材料 (Dielectric Material)	金属化聚丙烯膜 (Self-Healing Metallized Polypropylene)
外壳类型 (Case Type)	胶带包封 (Polyester tape, Resin filled, UL94V-0)
引出电极类型 (Terminals Type)	镀锡铜线 (Tinned copper wire , lead-free)
电容量范围 (Capacitance Range)	Cn: 0.005 μ F ~ 10.0 μ F (1kHz , 20 $^{\circ}$ C)
电容量偏差 (Capacitance Tolerance)	J (\pm 5%), K (\pm 10%)
损耗角正切值 (Dissipation Factor)	tg δ : \leq 0.0006 (1kHz , 20 $^{\circ}$ C)
绝缘电阻 (Insulation Resistance)	IR x Cn : \geq 30000s but need not exceed 30GW (100Vdc, 60s, 20 $^{\circ}$ C)
额定电压 (Rated Voltage)	Un : 300VDC ~ 4000VDC
极间电压 (Test voltage U _{TT})	U _{TT} : 1.5Un (10s , 20 $^{\circ}$ C) –Test voltage between both terminals
极壳电压 (Test voltage U _{TC})	U _{TC} : 3000Vac (10s , 20 $^{\circ}$ C) –Test voltage between terminals with case
工作温度 (Operating Temperature)	- 40 $^{\circ}$ C ~ 85 $^{\circ}$ C (Case)
工作寿命 (Operation Life Time)	100,000 hours (Un , 70 $^{\circ}$ C)
产品应用 (Applications)	Protect IGBT , MOSFET, SCR , GTO modules , AC Filter, Resoance



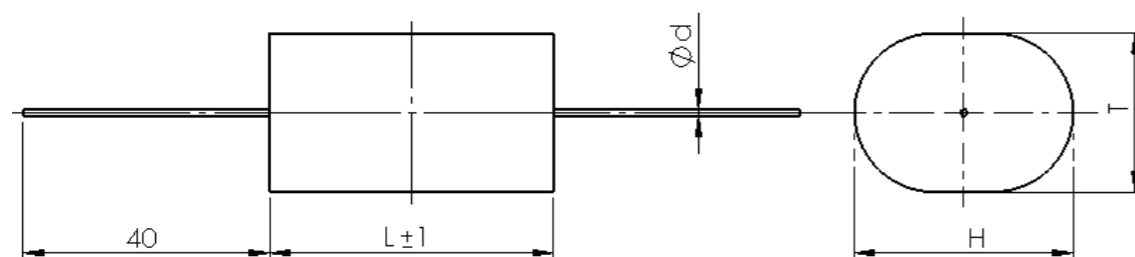
❖ 外形图 (Outline Drawing)

Unit: mm

Style A : Round



Style B : Oval Flat



Part Number	Cn μ F	Un Vdc	ESL nH	dv/dt V/ μ s	I Peak Amps	Irms max. A	Dimension (mm)					$\text{\O}d$
							Style A:Round		Style B:Oval flat			
							$\text{\O}D$	L	L	T	H	
Un 700VDC , Urms 400VAC												
FC86-154J700#32	0.15	700	20	500	75	4	11	32	-	-	-	1.0
FC86-224J700#32	0.22	700	20	500	110	5	13	32	-	-	-	1.0
FC86-334J700#32	0.33	700	20	500	165	6	15	32	32	11	18	1.0
FC86-474J700#32	0.47	700	20	500	235	8	17	32	32	13	21	1.0
FC86-564J700#32	0.56	700	20	500	280	9	19	32	32	14	23	1.0
FC86-684J700#32	0.68	700	20	500	340	10	20	32	32	15	25	1.0
FC86-824J700#32	0.82	700	20	500	410	12	22	32	32	17	27	1.2
FC86-105J700#32	1.0	700	20	500	500	12	24	32	32	19	29	1.2
FC86-684J700#44	0.68	700	24	400	272	9	17	44	44	12	21	1.0
FC86-105J700#44	1.0	700	24	400	400	10	19	44	44	14	23	1.0
FC86-125J700#44	1.2	700	24	400	480	11	21	44	44	16	25	1.2
FC86-155J700#44	1.5	700	24	400	600	12	23	44	44	18	28	1.2
FC86-205J700#44	2.0	700	24	400	800	14	27	44	44	22	31	1.2
FC86-225J700#44	2.2	700	24	400	880	14	28	44	44	23	32	1.2
FC86-255J700#44	2.5	700	24	400	1000	14	30	44	44	25	35	1.2
FC86-305J700#44	3.0	700	24	400	1200	14	32	44	44	28	38	1.2
FC86-335J700#44	3.3	700	24	400	1320	14	34	44	44	29	39	1.2
FC86-355J700#44	3.5	700	24	400	1400	14	35	44	44	30	40	1.2
FC86-205J700#57	2.0	700	28	300	600	14	23	57	57	18	27	1.2
FC86-305J700#57	3.0	700	28	300	900	14	28	57	57	23	32	1.2
FC86-405J700#57	4.0	700	28	300	1200	14	32	57	57	27	36	1.2
FC86-475J700#57	4.7	700	28	300	1410	14	34	57	57	30	39	1.2
FC86-505J700#57	5.0	700	28	300	1500	14	35	57	57	30	40	1.2
FC86-565J700#57	5.6	700	28	300	1680	14	37	57	57	33	42	1.2
FC86-685J700#57	6.8	700	28	300	2040	14	40	57	57	37	46	1.2
FC86-855J700#57	8.5	700	28	300	2550	14	42	57	57	38	48	1.2
FC86-106J700#57	10	700	28	300	3000	14	45	57	57	42	51	1.2

Part Number	Cn	Un	ESL	dv/dt	I Peak	Irms max.	Dimension (mm)					Ød
							Style A:Round		Style B:Oval flat			
	µF	Vdc	nH	V/µs	Amps	A	ØD	L	L	T	H	
Un 850VDC , Urms 450VAC												
FC86-154J850#32	0.15	850	20	700	105	5	12	32	-	-	-	1.0
FC86-224J850#32	0.22	850	20	700	154	6	15	32	-	-	-	1.0
FC86-334J850#32	0.33	850	20	700	231	7	17	32	32	14	20	1.0
FC86-474J850#32	0.47	850	20	700	329	8	20	32	32	15	24	1.0
FC86-564J850#32	0.56	850	20	700	392	9	22	32	32	16	26	1.0
FC86-684J850#32	0.68	850	20	700	476	10	24	32	32	18	28	1.0
FC86-824J850#32	0.82	850	20	700	574	12	26	32	32	21	30	1.2
FC86-105J850#32	1.0	850	20	700	700	13	28	32	32	23	33	1.2
FC86-125J850#32	1.2	850	20	700	840	14	31	32	32	26	35	1.2
FC86-155J850#32	1.5	850	20	700	1050	14	34	32	32	30	40	1.2
FC86-474J850#44	0.47	850	24	450	211.5	9	17	44	44	11	20	1.0
FC86-564J850#44	0.56	850	24	450	252	9.5	18	44	44	12	22	1.0
FC86-684J850#44	0.68	850	24	450	306	10	20	44	44	14	24	1.0
FC86-824J850#44	0.82	850	24	450	369	11	21	44	44	16	25	1.2
FC86-105J850#44	1.0	850	24	450	450	12	23	44	44	18	27	1.2
FC86-125J850#44	1.2	850	24	450	540	14	25	44	44	20	29	1.2
FC86-155J850#44	1.5	850	24	450	675	14	28	44	44	23	32	1.2
FC86-205J850#44	2.0	850	24	450	900	14	32	44	44	27	36	1.2
FC86-225J850#44	2.2	850	24	450	990	14	33	44	44	29	38	1.2
FC86-255J850#44	2.5	850	24	450	1125	14	35	44	44	31	40	1.2
FC86-205J850#57	2.0	850	28	350	700	14	25	57	57	20	30	1.2
FC86-225J850#57	2.2	850	28	350	770	14	26	57	57	21	31	1.2
FC86-255J850#57	2.5	850	28	350	875	14	28	57	57	23	32	1.2
FC86-305J850#57	3.0	850	28	350	1050	14	30	57	57	25	35	1.2
FC86-405J850#57	4.0	850	28	350	1400	14	35	57	57	30	40	1.2
FC86-475J850#57	4.7	850	28	350	1645	14	38	57	57	33	42	1.2
FC86-505J850#57	5.0	850	28	350	1750	14	39	57	57	34	44	1.2
FC86-565J850#57	5.6	850	28	350	1960	14	41	57	57	36	46	1.2
FC86-685J850#57	6.8	850	28	350	2380	14	45	57	57	41	50	1.2

Part Number	Cn	Un	ESL	dv/dt	I Peak	Irms max.	Dimension (mm)					Ød
							Style A:Round		Style B:Oval flat			
	µF	Vdc	nH	V/µs	Amps	A	ØD	L	L	T	H	
Un 1200VDC , Urms 500VAC												
FC86-104J1200#32	0.1	1200	20	1200	120	5	12	32	-	-	-	1.0
FC86-154J1200#32	0.15	1200	20	1200	180	6	15	32	32	11	17	1.0
FC86-224J1200#32	0.22	1200	20	1200	264	9	17	32	32	14	20	1.0
FC86-334J1200#32	0.33	1200	20	1200	396	10	21	32	32	16	25	1.0
FC86-474J1200#32	0.47	1200	20	1200	564	12	25	32	32	20	29	1.2
FC86-564J1200#32	0.56	1200	20	1200	672	13	27	32	32	22	32	1.2
FC86-684J1200#32	0.68	1200	20	1200	816	14	30	32	32	25	34	1.2
FC86-824J1200#32	0.82	1200	20	1200	984	14	33	32	32	28	38	1.2
FC86-105J1200#32	1.0	1200	20	1200	1200	14	36	32	32	31	41	1.2
FC86-154J1200#44	0.15	1200	24	700	105	5	13	44	-	-	-	1.0
FC86-224J1200#44	0.22	1200	24	700	154	6	15	44	-	-	-	1.0
FC86-334J1200#44	0.33	1200	24	700	231	9	18	44	44	12	22	1.0
FC86-474J1200#44	0.47	1200	24	700	329	10	21	44	44	15	25	1.0
FC86-564J1200#44	0.56	1200	24	700	392	12	22	44	44	17	26	1.0
FC86-684J1200#44	0.68	1200	24	700	476	13	24	44	44	19	29	1.2
FC86-824J1200#44	0.82	1200	24	700	574	14	26	44	44	21	31	1.2
FC86-105J1200#44	1.0	1200	24	700	700	14	29	44	44	24	34	1.2
FC86-125J1200#44	1.2	1200	24	700	840	14	32	44	44	27	36	1.2
FC86-155J1200#44	1.5	1200	24	700	1050	14	35	44	44	30	40	1.2
FC86-205J1200#44	2.0	1200	24	700	1400	14	40	44	44	36	45	1.2
FC86-225J1200#44	2.2	1200	24	700	1540	14	42	44	44	38	47	1.2
FC86-255J1200#44	2.5	1200	24	700	1750	14	43	44	44	39	48	1.2
FC86-105J1200#57	1.0	1200	28	450	450	12	25	57	57	20	29	1.2
FC86-155J1200#57	1.5	1200	28	450	675	14	30	57	57	25	34	1.2
FC86-205J1200#57	2.0	1200	28	450	900	14	32	57	57	28	38	1.2
FC86-225J1200#57	2.2	1200	28	450	990	14	34	57	57	29	38	1.2
FC86-255J1200#57	2.5	1200	28	450	1125	14	36	57	57	31	41	1.2
FC86-305J1200#57	3.0	1200	28	450	1350	14	37	57	57	32	42	1.2
FC86-405J1200#57	4.0	1200	28	450	1800	14	42	57	57	38	47	1.2

Part Number	Cn	Un	ESL	dv/dt	I Peak	Irms max.	Dimension (mm)					
	μF	Vdc	nH	V/μs	Amps	A	Style A:Round		Style B:Oval flat			Ød
							ØD	L	L	T	H	
Un 1600VDC , Urms 600VAC												
FC86-104J1600#32	0.1	1600	20	1400	140	6	13	32	32	10	16	1.0
FC86-154J1600#32	0.15	1600	20	1400	210	8	16	32	32	13	19	1.0
FC86-224J1600#32	0.22	1600	20	1400	308	10	19	32	32	16	22	1.0
FC86-334J1600#32	0.33	1600	20	1400	462	12	23	32	32	18	28	1.2
FC86-474J1600#32	0.47	1600	20	1400	658	13	28	32	32	23	32	1.2
FC86-564J1600#32	0.56	1600	20	1400	784	14	30	32	32	25	34	1.2
FC86-684J1600#32	0.68	1600	20	1400	952	14	33	32	32	28	38	1.2
FC86-824J1600#32	0.82	1600	20	1400	1148	14	36	32	32	31	41	1.2
FC86-105J1600#32	1.0	1600	20	1400	1400	14	39	32	32	35	44	1.2
FC86-104J1600#44	0.1	1600	24	900	90	5	12	44	-	-	-	1.0
FC86-154J1600#44	0.15	1600	24	900	135	6	14	44	-	-	-	1.0
FC86-224J1600#44	0.22	1600	24	900	198	7	16	44	44	11	20	1.0
FC86-334J1600#44	0.33	1600	24	900	297	9	19	44	44	14	23	1.0
FC86-474J1600#44	0.47	1600	24	900	423	11	22	44	44	17	27	1.2
FC86-564J1600#44	0.56	1600	24	900	504	13	24	44	44	19	29	1.2
FC86-684J1600#44	0.68	1600	24	900	612	14	27	44	44	22	31	1.2
FC86-824J1600#44	0.82	1600	24	900	738	14	29	44	44	24	34	1.2
FC86-105J1600#44	1.0	1600	24	900	900	14	32	44	44	27	37	1.2
FC86-125J1600#44	1.2	1600	24	900	1080	14	35	44	44	30	40	1.2
FC86-155J1600#44	1.5	1600	24	900	1350	14	39	44	44	34	44	1.2
FC86-474J1600#57	0.47	1600	28	650	305.5	10	19	57	57	14	23	1.2
FC86-824J1600#57	0.82	1600	28	650	533	13	25	57	57	20	30	1.2
FC86-105J1600#57	1.0	1600	28	650	650	14	27	57	57	22	31	1.2
FC86-125J1600#57	1.2	1600	28	650	780	14	30	57	57	24	34	1.2
FC86-155J1600#57	1.5	1600	28	650	975	14	33	57	57	28	38	1.2
FC86-205J1600#57	2.0	1600	28	650	1300	14	37	57	57	33	43	1.2
FC86-225J1600#57	2.2	1600	28	650	1430	14	39	57	57	35	45	1.2
FC86-255J1600#57	2.5	1600	28	650	1625	14	42	57	57	38	47	1.2
FC86-285J1600#57	2.8	1600	28	650	1820	14	44	57	57	40	49	1.2

Part Number	Cn	Un	ESL	dv/dt	I Peak	Irms max.	Dimension (mm)					
	μF	Vdc	nH	V/μs	Amps	A	Style A:Round		Style B:Oval flat			Ød
							ØD	L	L	T	H	
Un 2000VDC , Urms 650VAC												
FC86-473J2000#32	0.047	2000	20	1800	84.6	5	11	32	-	-	-	1.0
FC86-683J2000#32	0.068	2000	20	1800	122.4	6	12	32	-	-	-	1.0
FC86-104J2000#32	0.1	2000	20	1800	180	7	14	32	32	11	18	1.0
FC86-154J2000#32	0.15	2000	20	1800	270	9	17	32	32	14	21	1.0
FC86-224J2000#32	0.22	2000	20	1800	396	12	21	32	32	18	24	1.2
FC86-334J2000#32	0.33	2000	20	1800	594	14	26	32	32	21	30	1.2
FC86-474J2000#32	0.47	2000	20	1800	846	14	30	32	32	25	35	1.2
FC86-564J2000#32	0.56	2000	20	1800	1008	14	33	32	32	28	38	1.2
FC86-684J2000#32	0.68	2000	20	1800	1224	14	36	32	32	31	41	1.2
FC86-824J2000#32	0.82	2000	20	1800	1476	14	39	32	32	35	44	1.2
FC86-105J2000#32	1.0	2000	20	1800	1800	14	43	32	32	39	49	1.2
FC86-104J2000#44	0.1	2000	24	1100	110	7	13	44	-	-	-	1.0
FC86-154J2000#44	0.15	2000	24	1100	165	8	15	44	-	-	-	1.0
FC86-224J2000#44	0.22	2000	24	1100	242	9	18	44	44	12	21	1.0
FC86-334J2000#44	0.33	2000	24	1100	363	10	21	44	44	16	25	1.2
FC86-474J2000#44	0.47	2000	24	1100	517	13	25	44	44	20	29	1.2
FC86-564J2000#44	0.56	2000	24	1100	616	14	27	44	44	22	31	1.2
FC86-684J2000#44	0.68	2000	24	1100	748	14	29	44	44	24	34	1.2
FC86-824J2000#44	0.82	2000	24	1100	902	14	32	44	44	27	37	1.2
FC86-105J2000#44	1.0	2000	24	1100	1100	14	35	44	44	30	40	1.2
FC86-125J2000#44	1.2	2000	24	1100	1320	14	38	44	44	34	43	1.2
FC86-155J2000#44	1.5	2000	24	1100	1650	14	43	44	44	38	48	1.2
FC86-474J2000#57	0.47	2000	28	700	329	10	21	57	57	16	25	1.2
FC86-824J2000#57	0.82	2000	28	700	574	14	27	57	57	22	32	1.2
FC86-105J2000#57	1.0	2000	28	700	700	14	30	57	57	25	34	1.2
FC86-125J2000#57	1.2	2000	28	700	840	14	32	57	57	28	37	1.2
FC86-155J2000#57	1.5	2000	28	700	1050	14	36	57	57	31	41	1.2
FC86-205J2000#57	2.0	2000	28	700	1400	14	41	57	57	37	47	1.2
FC86-225J2000#57	2.2	2000	28	700	1540	14	43	57	57	39	48	1.2

❖ Technical Datasheet

IGBT Snubber Capacitors for Protecting IGBT or MOSFET Modules

Part Number	Cn	Un	ESL	dv/dt	I Peak	Irms max.	Dimension (mm)					Ød
	µF	Vdc	nH	V/µs	Amps		Style A:Round		Style B:Oval flat			
						ØD	L	L	T	H		
Un 3000VDC , Urms 750VAC												
FC86-473J3000#32	0.047	3000	20	2700	127	7	15	32	32	10	19	1.0
FC86-683J3000#32	0.068	3000	20	2700	184	8	17	32	32	12	21	1.0
FC86-104J3000#32	0.1	3000	20	2700	270	10	20	32	32	15	25	1.2
FC86-154J3000#32	0.15	3000	20	2700	405	12	25	32	32	20	29	1.2
FC86-224J3000#32	0.22	3000	20	2700	594	14	30	32	32	25	34	1.2
FC86-334J3000#32	0.33	3000	20	2700	891	14	36	32	32	32	41	1.2
FC86-104J3000#44	0.1	3000	24	1500	150	9	17	44	44	11	21	1.0
FC86-154J3000#44	0.15	3000	24	1500	225	10	20	44	44	15	24	1.2
FC86-224J3000#44	0.22	3000	24	1500	330	12	24	44	44	19	28	1.2
FC86-334J3000#44	0.33	3000	24	1500	495	13	29	44	44	24	34	1.2
FC86-474J3000#44	0.47	3000	24	1500	705	14	34	44	44	30	39	1.2
FC86-224J3000#57	0.22	3000	28	800	176	9	20	57	57	15	24	1.2
FC86-334J3000#57	0.33	3000	28	800	264	11	25	57	57	19	29	1.2
FC86-474J3000#57	0.47	3000	28	800	376	13	29	57	57	24	33	1.2
FC86-564J3000#57	0.56	3000	28	800	448	14	31	57	57	27	36	1.2
FC86-684J3000#57	0.68	3000	28	800	544	14	35	57	57	30	39	1.2
FC86-824J3000#57	0.82	3000	28	800	656	14	38	57	57	33	43	1.2
FC86-105J3000#57	1.0	3000	28	800	800	14	42	57	57	37	47	1.2
Un 4000VDC , Urms 1200VAC												
FC86-473J4000#57	0.047	4000	35	3000	141	9	26	57	57	21	30	1.2
FC86-683J4000#57	0.068	4000	35	3000	204	11	32	57	57	26	35	1.2
FC86-823J4000#57	0.082	4000	35	3000	246	12	35	57	57	29	38	1.2
FC86-104J4000#57	0.1	4000	35	3000	300	13	38	57	57	42	32	1.2

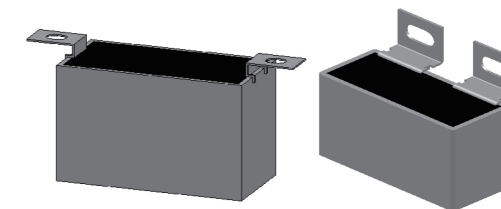
❖ Part Number System

EX: FC86-474J1200B44

FC86	-	474	J	1200	B	44
⋮		⋮	⋮	⋮	⋮	⋮
Series		Capacitance	Tolerance	Voltage	Style	L
		474=0.47µF	J=±5%	VDC	A=Round	Length
		105=1.0µF	K=±10%		B=Oval Flat	

❖ 产品简介 (General Description)

引用标准 (Standard Reference)	IEC 61071 , GB/T 17702
气候类别 (Climatic Category)	40 / 85 / 56
介质材料 (Dielectric Material)	金属化聚丙烯膜 (Self-Healing Metallized Polypropylene)
外壳类型 (Case Type)	塑料外壳 (Plastic case, Resin filled, UL94V-0)
引出电极类型 (Terminals Type)	焊片引出 (Lug terminals)
电容量范围 (Capacitance Range)	Cn: 0.005µF ~ 10.0µF (1kHz , 20°C)
电容量偏差 (Capacitance Tolerance)	J (±5%), K (±10%)
电容损耗角正切(Dissipation Factor)	tg δ: ≤ 0.0006 (1kHz , 20°C)
绝缘电阻 (Insulation Resistance)	IR x Cn : ≥30000s but need not exceed 30GW (100Vdc, 60s, 20°C)
额定电压 (Rated Voltage)	Un : 600VDC ~ 4000VDC
极间电压 (Test voltage UTT)	UTT: 1.5Un (10s , 20°C) – Test voltage between both terminals
极壳电压 (Test voltage UTC)	UTC: 3000Vac (10s , 20°C) – Test voltage between terminals with case
工作温度 (Operating Temperature)	- 40°C ~ + 85°C (Case)
工作寿命 (Operation Life Time)	100,000 hours (Un , 70°C)
产品应用 (Applications)	Protect IGBT , MOSFET, SCR , GTO modules , AC Filter, Resoance



❖ 产品编码定义 (Part Number System)

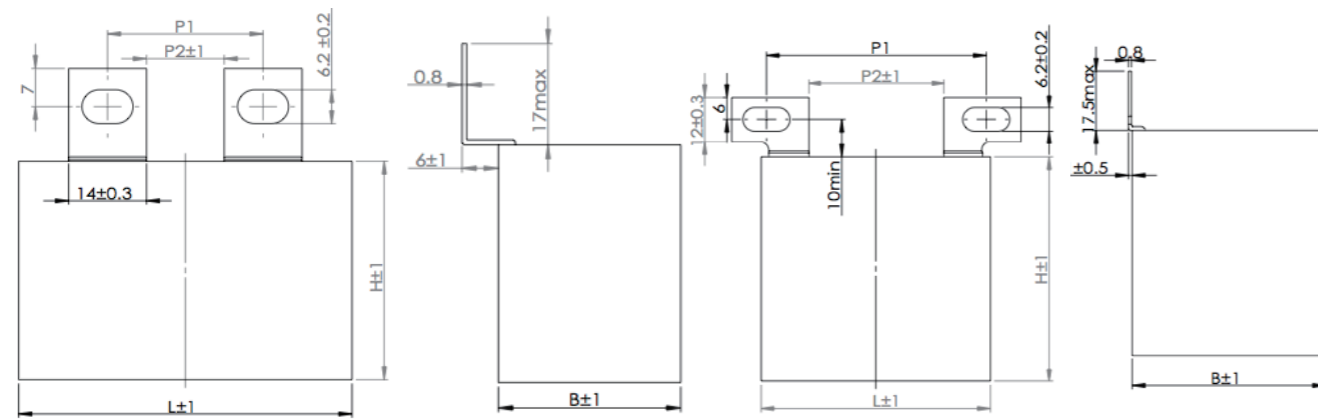
EX: FC88-474J1200A4511

FC88	-	474	J	1200	#	45	#
⋮		⋮	⋮	⋮	⋮	⋮	⋮
Series		Capacitance	Tolerance	Voltage	Style	L	P2
		474=0.47µF	J=±5%	VDC	See outline drawing	Length	Pitch
		105=1.0µF	K=±10%		A,B,C,D		

❖ Dimension

❖ Technical Datasheet

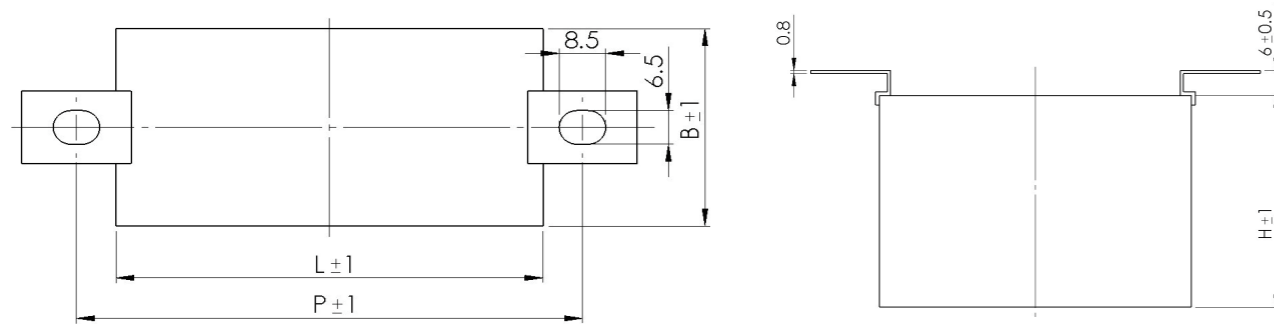
Terminal Style A



L	Style A (Output: M6)				L	Style B (Output: M6)			
	P2	P1	P2	P1		P2	P1	P2	P1
42.5	11	23~28	8	20~25	42.5	11	28~39	15	32~45
57.5	11	23~28	24	36~41	57.5	11	28~39	28	46~58

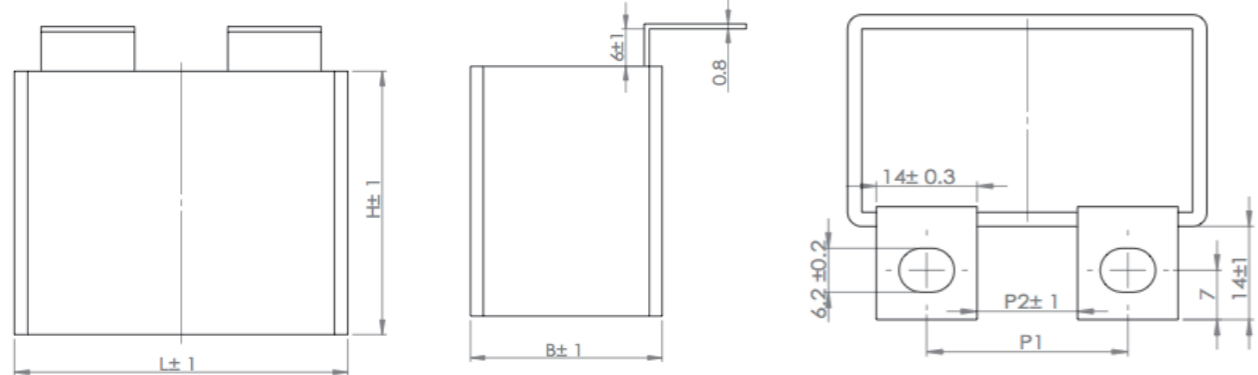
Terminal Style B

Terminal Style C



L	Style C (Output: M6)	
	P	
42.5	60~65	
57.5	75~80	

Terminal Style D



L	Style D (Output: M6)			
	P2	P1	P2	P1
42.5	11	23~28	8	20~25
57.5	11	23~28	24	36~41

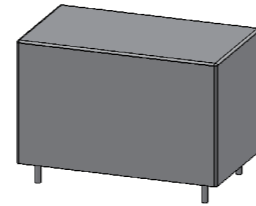
Part Number	Cn	Un	ESL	dv/dt	I Peak	Irms max.	Dimension (mm)			
	μF	Vdc	nH	V/μs	Amps	A	L	B	H	Terminal Style
Un 700VDC , Urms 400VAC										
FC88-684J700#42.5#	0.68	700	24	400	272	15	42.5	24.5	27.5	A / B / C / D
FC88-105J700#42.5#	1.0	700	24	400	400	18	42.5	24.5	27.5	A / B / C / D
FC88-125J700#42.5#	1.2	700	24	400	480	20	42.5	24.5	27.5	A / B / C / D
FC88-155J700#42.5#	1.5	700	24	400	600	21	42.5	34	36	A / B / C / D
FC88-205J700#42.5#	2.0	700	24	400	800	22	42.5	34	36	A / B / C / D
FC88-225J700#42.5#	2.2	700	24	400	880	22	42.5	34	36	A / B / C / D
FC88-255J700#42.5#	2.5	700	24	400	1000	24	42.5	34	36	A / B / C / D
FC88-305J700#42.5#	3.0	700	24	400	1200	25	42.5	33	45	A / B / C / D
FC88-335J700#42.5#	3.3	700	24	400	1320	25	42.5	33	45	A / B / C / D
FC88-355J700#42.5#	3.5	700	24	400	1400	26	42.5	33	45	A / B / C / D
FC88-405J700#57.5#	4.0	700	28	300	1200	25	57.5	30	45	A / B / C / D
FC88-475J700#57.5#	4.7	700	28	300	1410	26	57.5	35	50	A / B / C / D
FC88-505J700#57.5#	5.0	700	28	300	1500	28	57.5	35	50	A / B / C / D
FC88-685J700#57.5#	6.8	700	28	300	2040	30	57.5	42.5	56	A / B / C / D
Un 850VDC , Urms 450VAC										
FC88-684J850#42.5#	0.68	850	24	450	306	15	42.5	24.5	27.5	A / B / C / D
FC88-105J850#42.5#	1.0	850	24	450	450	16	42.5	34	36	A / B / C / D
FC88-125J850#42.5#	1.2	850	24	450	540	17	42.5	34	36	A / B / C / D
FC88-155J850#42.5#	1.5	850	24	450	675	18	42.5	34	36	A / B / C / D
FC88-205J850#42.5#	2.0	850	24	450	900	20	42.5	34	36	A / B / C / D
FC88-225J850#42.5#	2.2	850	24	450	990	21	42.5	33	45	A / B / C / D
FC88-255J850#42.5#	2.5	850	24	450	1125	22	42.5	33	45	A / B / C / D
FC88-205J850#57.5#	2.0	850	28	350	700	19	57.5	30	45	A / B / C / D
FC88-305J850#57.5#	3.0	850	28	350	1050	22	57.5	30	45	A / B / C / D
FC88-405J850#57.5#	4.0	850	28	350	1400	23	57.5	35	50	A / B / C / D
FC88-475J850#57.5#	4.7	850	28	350	1645	24	57.5	35	50	A / B / C / D
FC88-505J850#57.5#	5.0	850	28	350	1750	25	57.5	42.5	56	A / B / C / D
FC88-565J850#57.5#	5.6	850	28	350	1960	26	57.5	42.5	56	A / B / C / D

Part Number	Cn	Un	ESL	dv/dt	I Peak	Irms max.	Dimension (mm)			
	μF	Vdc	nH	V/μs	Amps	A	L	B	H	Terminal Style
Un 1200VDC , Urms 500VAC										
FC88-334J1200#42.5#	0.33	1200	24	700	231	12	42.5	24.5	27.5	A / B / C / D
FC88-474J1200#42.5#	0.47	1200	24	700	329	14	42.5	24.5	27.5	A / B / C / D
FC88-564J1200#42.5#	0.56	1200	24	700	392	15	42.5	24.5	27.5	A / B / C / D
FC88-684J1200#42.5#	0.68	1200	24	700	476	15	42.5	34	36	A / B / C / D
FC88-824J1200#42.5#	0.82	1200	24	700	574	16	42.5	34	36	A / B / C / D
FC88-105J1200#42.5#	1.0	1200	24	700	700	18	42.5	34	36	A / B / C / D
FC88-125J1200#42.5#	1.2	1200	24	700	840	19	42.5	33	45	A / B / C / D
FC88-155J1200#42.5#	1.5	1200	24	700	1050	20	42.5	33	45	A / B / C / D
FC88-105J1200#57.5#	1.0	1200	28	450	450	17	57.5	30	45	A / B / C / D
FC88-155J1200#57.5#	1.5	1200	28	450	675	18	57.5	30	45	A / B / C / D
FC88-205J1200#57.5#	2.0	1200	28	450	900	19	57.5	30	45	A / B / C / D
FC88-255J1200#57.5#	2.5	1200	28	450	1125	21	57.5	35	50	A / B / C / D
FC88-305J1200#57.5#	3.0	1200	28	450	1350	22	57.5	35	50	A / B / C / D
FC88-405J1200#57.5#	4.0	1200	28	450	1800	25	57.5	42.5	56	A / B / C / D
FC88-455J1200#57.5#	4.5	1200	28	450	2025	26	57.5	42.5	56	A / B / C / D
Un 1600VDC , Urms 600VAC										
FC88-104J1600#42.5#	0.1	1600	24	900	90	5	42.5	24.5	27.5	A / B / C / D
FC88-154J1600#42.5#	0.15	1600	24	900	135	6	42.5	24.5	27.5	A / B / C / D
FC88-224J1600#42.5#	0.22	1600	24	900	198	7	42.5	24.5	27.5	A / B / C / D
FC88-334J1600#42.5#	0.33	1600	24	900	297	14	42.5	24.5	27.5	A / B / C / D
FC88-474J1600#42.5#	0.47	1600	24	900	423	15	42.5	34	36	A / B / C / D
FC88-564J1600#42.5#	0.56	1600	24	900	504	16	42.5	34	36	A / B / C / D
FC88-684J1600#42.5#	0.68	1600	24	900	612	17	42.5	34	36	A / B / C / D
FC88-824J1600#42.5#	0.82	1600	24	900	738	18	42.5	34	36	A / B / C / D
FC88-105J1600#42.5#	1.0	1600	24	900	900	20	42.5	33	45	A / B / C / D
FC88-125J1600#57.5#	1.2	1600	28	650	780	21	57.5	30	45	A / B / C / D
FC88-155J1600#57.5#	1.5	1600	28	650	975	22	57.5	35	50	A / B / C / D
FC88-205J1600#57.5#	2.0	1600	28	650	1300	23	57.5	35	50	A / B / C / D
FC88-255J1600#57.5#	2.5	1600	28	650	1625	24	57.5	42.5	56	A / B / C / D

Part Number	Cn	Un	ESL	dv/dt	I Peak	Irms max.	Dimension (mm)			
	μF	Vdc	nH	V/μs	Amps	A	L	B	H	Terminal Style
Un 2000VDC , Urms 650VAC										
FC88-104J2000#42.5#	0.1	2000	24	1100	110	5	42.5	24.5	27.5	A / B / C / D
FC88-154J2000#42.5#	0.15	2000	24	1100	165	6	42.5	24.5	27.5	A / B / C / D
FC88-224J2000#42.5#	0.22	2000	24	1100	242	14	42.5	24.5	27.5	A / B / C / D
FC88-334J2000#42.5#	0.33	2000	24	1100	363	15	42.5	24.5	27.5	A / B / C / D
FC88-474J2000#42.5#	0.47	2000	24	1100	517	16	42.5	34	36	A / B / C / D
FC88-564J2000#42.5#	0.56	2000	24	1100	616	17	42.5	34	36	A / B / C / D
FC88-684J2000#42.5#	0.68	2000	24	1100	748	18	42.5	34	36	A / B / C / D
FC88-824J2000#42.5#	0.82	2000	24	1100	902	20	42.5	33	45	A / B / C / D
FC88-105J2000#57.5#	1.0	2000	24	700	700	22	57.5	30	45	A / B / C / D
FC88-125J2000#57.5#	1.2	2000	28	700	840	23	57.5	35	50	A / B / C / D
FC88-155J2000#57.5#	1.5	2000	28	700	1050	24	57.5	35	50	A / B / C / D
FC88-205J2000#57.5#	2.0	2000	28	700	1400	25	57.5	42.5	56	A / B / C / D
Un 3000VDC , Urms 750VAC										
FC88-473J3000#42.5#	0.047	3000	24	1500	70.5	8	42.5	24.5	27.5	A / B / C / D
FC88-683J3000#42.5#	0.068	3000	24	1500	102	10	42.5	24.5	27.5	A / B / C / D
FC88-104J3000#42.5#	0.1	3000	28	1500	150	13	42.5	24.5	27.5	A / B / C / D
FC88-154J3000#42.5#	0.15	3000	28	1500	225	15	42.5	24.5	27.5	A / B / C / D
FC88-224J3000#42.5#	0.22	3000	28	1500	330	17	42.5	34	36	A / B / C / D
FC88-334J3000#42.5#	0.33	3000	28	1500	495	19	42.5	34	36	A / B / C / D
FC88-474J3000#42.5#	0.47	3000	28	1500	705	21	42.5	33	45	A / B / C / D
FC88-104J3000#57.5#	0.1	3000	32	800	80	11	57.5	30	45	A / B / C / D
FC88-154J3000#57.5#	0.15	3000	32	800	120	13	57.5	30	45	A / B / C / D
FC88-224J3000#57.5#	0.22	3000	32	800	176	15	57.5	30	45	A / B / C / D
FC88-334J3000#57.5#	0.33	3000	32	800	264	18	57.5	30	45	A / B / C / D
FC88-474J3000#57.5#	0.47	3000	32	800	376	20	57.5	30	45	A / B / C / D
FC88-564J3000#57.5#	0.56	3000	32	800	448	22	57.5	35	50	A / B / C / D
FC88-684J3000#57.5#	0.68	3000	32	800	544	23	57.5	35	50	A / B / C / D
FC88-824J3000#57.5#	0.82	3000	32	800	656	24	57.5	42.5	56	A / B / C / D
FC88-105J3000#57.5#	1.0	3000	32	800	800	25	57.5	42.5	56	A / B / C / D

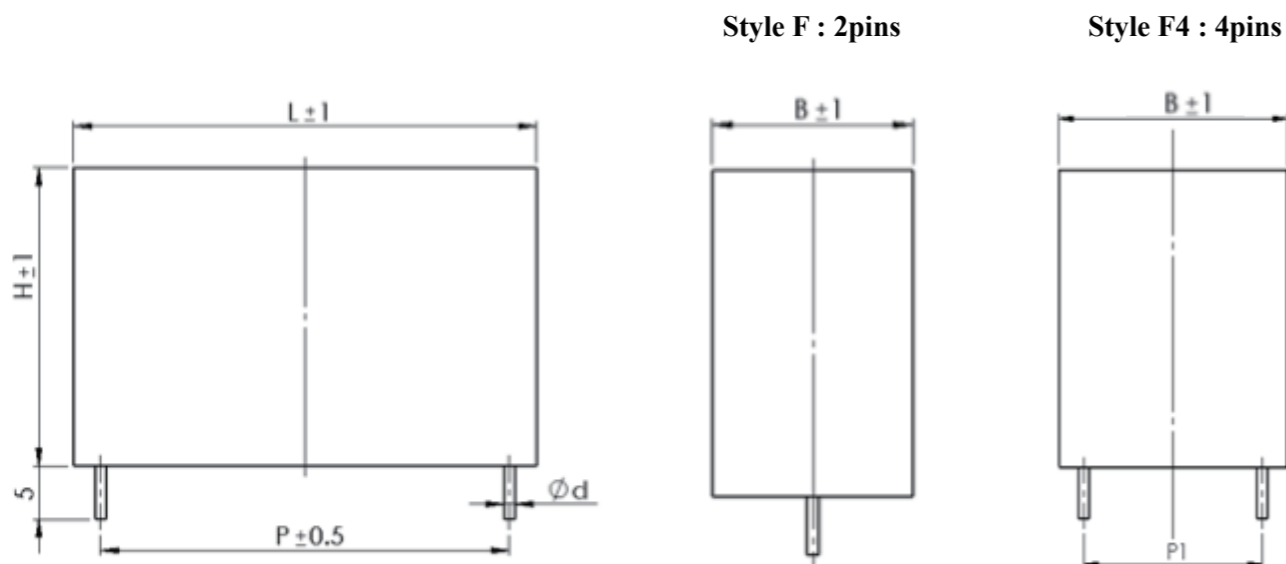
❖ 产品简介 (General Description)

引用标准 (Standard Reference)	IEC 61071 , GB/T 17702
气候类别 (Climatic Category)	40 / 85 / 56
介质材料 (Dielectric Material)	金属化聚丙烯膜 (Self-Healing Metallized Polypropylene)
外壳类型 (Case Type)	塑料外壳 (Palstic case, Resin filled, UL94V-0)
引出电极类型 (Terminals Type)	镀锡铜线引出 (Tinned copper wire)
电容量范围 (Capacitance Range)	Cn: 0.005 μ F ~ 10.0 μ F (1kHz , 20 $^{\circ}$ C)
电容量偏差 (Capacitance Tolerance)	J (\pm 5%), K (\pm 10%)
电容损耗角正切(Dissipation Factor)	tg δ : \leq 0.0006 (1kHz , 20 $^{\circ}$ C)
绝缘电阻 (Insulation Resistance)	IR x Cn : \geq 30000s but need not exceed 30GW (100Vdc, 60s, 20 $^{\circ}$ C)
额定电压 (Rated Voltage)	Un : 300VDC ~ 5000VDC
极间电压 (Test voltage U _{TT})	U _{TT} : 1.5Un (10s , 20 $^{\circ}$ C) – Test voltage between both terminals
极壳电压 (Test voltage U _{TC})	U _{TC} : 3000Vac (10s , 20 $^{\circ}$ C) – Test voltage between terminals with case
工作温度 (Operating Temperature)	- 40 $^{\circ}$ C ~ 85 $^{\circ}$ C (Case)
工作寿命 (Operation Life Time)	100,000 hours (Un , 70 $^{\circ}$ C)
产品应用 (Applications)	Protect IGBT , MOSFET, SCR , GTO modules , AC Filter, Resoance



❖ 外形图 (Outline Drawing)

Unit: mm



Part Number	Cn	Un	ESL	dv/dt	I Peak	Irms max.	Dimension (mm)					
	μ F	Vdc	nH	V/ μ s	Amps	A	L	B	H	P	P1	\varnothing d
Un 700VDC , Urms 400VAC												
FC88-154J700F27.5	0.15	700	20	500	75	4	32	15	25	27.5	-	1.0
FC88-224J700F27.5	0.22	700	20	500	110	5	32	15	25	27.5	-	1.0
FC88-334J700F27.5	0.33	700	20	500	165	6	32	15	25	27.5	-	1.0
FC88-474J700F27.5	0.47	700	20	500	235	8	32	15	25	27.5	-	1.0
FC88-564J700F27.5	0.56	700	20	500	280	9	32	18	33	27.5	-	1.0
FC88-684J700F27.5	0.68	700	20	500	340	10	32	18	33	27.5	-	1.0
FC88-824J700F27.5	0.82	700	20	500	410	12	32	22	37	27.5	-	1.2
FC88-105J700F27.5	1.0	700	20	500	500	12	32	22	37	27.5	-	1.2
FC88-684J700F437.5	0.68	700	24	400	272	15	42.5	24.5	27.5	37.5	20.3	1.2
FC88-105J700F437.5	1.0	700	24	400	400	18	42.5	24.5	27.5	37.5	20.3	1.2
FC88-125J700F437.5	1.2	700	24	400	480	20	42.5	24.5	27.5	37.5	20.3	1.2
FC88-155J700F437.5	1.5	700	24	400	600	21	42.5	24.5	27.5	37.5	20.3	1.2
FC88-205J700F437.5	2.0	700	24	400	800	22	42.5	34	36	37.5	20.3	1.2
FC88-225J700F437.5	2.2	700	24	400	880	22	42.5	34	36	37.5	20.3	1.2
FC88-255J700F437.5	2.5	700	24	400	1000	24	42.5	34	36	37.5	20.3	1.2
FC88-305J700F437.5	3.0	700	24	400	1200	25	42.5	33	45	37.5	20.3	1.2
FC88-335J700F437.5	3.3	700	24	400	1320	25	42.5	33	45	37.5	20.3	1.2
FC88-355J700F437.5	3.5	700	24	400	1400	26	42.5	33	45	37.5	20.3	1.2
FC88-205J700F452.5	2.0	700	28	300	600	20	57.5	30	45	52.5	20.3	1.2
FC88-305J700F452.5	3.0	700	28	300	900	22	57.5	30	45	52.5	20.3	1.2
FC88-405J700F452.5	4.0	700	28	300	1200	23	57.5	35	50	52.5	20.3	1.2
FC88-475J700F452.5	4.7	700	28	300	1410	24	57.5	35	50	52.5	20.3	1.2
FC88-505J700F452.5	5.0	700	28	300	1500	25	57.5	35	50	52.5	20.3	1.2
FC88-565J700F452.5	5.6	700	28	300	1680	25	57.5	42.5	56	52.5	20.3	1.2
FC88-685J700F452.5	6.8	700	28	300	2040	26	57.5	42.5	56	52.5	20.3	1.2
FC88-855J700F452.5	8.5	700	28	300	2550	27	57.5	42.5	56	52.5	20.3	1.2
FC88-106J700F452.5	10	700	28	300	3000	28	57.5	42.5	56	52.5	20.3	1.2

Part Number	Cn	Un	ESL	dv/dt	I Peak	Irms max.	Dimension (mm)					
	μF	Vdc	nH	V/μs	Amps	A	L	B	H	P	P1	Ød
Un 850VDC , Urms 450VAC												
FC88-154J850F27.5	0.15	850	20	700	105	5	32	15	25	27.5	-	1.0
FC88-224J850F27.5	0.22	850	20	700	154	6	32	15	25	27.5	-	1.0
FC88-334J850F27.5	0.33	850	20	700	231	7	32	15	25	27.5	-	1.0
FC88-474J850F27.5	0.47	850	20	700	329	8	32	18	33	27.5	-	1.0
FC88-564J850F27.5	0.56	850	20	700	392	9	32	18	33	27.5	-	1.0
FC88-684J850F27.5	0.68	850	20	700	476	10	32	22	37	27.5	-	1.0
FC88-474J850F437.5	0.47	850	24	450	212	14	42.5	24.5	27.5	37.5	20.3	1.2
FC88-564J850F437.5	0.56	850	24	450	252	15	42.5	24.5	27.5	37.5	20.3	1.2
FC88-684J850F437.5	0.68	850	24	450	306	15	42.5	24.5	27.5	37.5	20.3	1.2
FC88-824J850F437.5	0.82	850	24	450	369	15	42.5	24.5	27.5	37.5	20.3	1.2
FC88-105J850F437.5	1.0	850	24	450	450	16	42.5	34	36	37.5	20.3	1.2
FC88-125J850F437.5	1.2	850	24	450	540	17	42.5	34	36	37.5	20.3	1.2
FC88-155J850F437.5	1.5	850	24	450	675	18	42.5	34	36	37.5	20.3	1.2
FC88-205J850F437.5	2.0	850	24	450	900	20	42.5	34	36	37.5	20.3	1.2
FC88-225J850F437.5	2.2	850	24	450	990	21	42.5	33	45	37.5	20.3	1.2
FC88-255J850F437.5	2.5	850	24	450	1125	22	42.5	33	45	37.5	20.3	1.2
FC88-205J850F452.5	2.0	850	28	350	700	19	57.5	30	45	52.5	20.3	1.2
FC88-225J850F452.5	2.2	850	28	350	770	20	57.5	30	45	52.5	20.3	1.2
FC88-255J850F452.5	2.5	850	28	350	875	21	57.5	30	45	52.5	20.3	1.2
FC88-305J850F452.5	3.0	850	28	350	1050	22	57.5	30	45	52.5	20.3	1.2
FC88-405J850F452.5	4.0	850	28	350	1400	23	57.5	35	50	52.5	20.3	1.2
FC88-475J850F452.5	4.7	850	28	350	1645	24	57.5	35	50	52.5	20.3	1.2
FC88-505J850F452.5	5.0	850	28	350	1750	25	57.5	42.5	56	52.5	20.3	1.2
FC88-565J850F452.5	5.6	850	28	350	1960	26	57.5	42.5	56	52.5	20.3	1.2
FC88-685J850F452.5	6.8	850	28	350	2380	27	57.5	42.5	56	52.5	20.3	1.2

Part Number	Cn	Un	ESL	dv/dt	I Peak	Irms max.	Dimension (mm)					
	μF	Vdc	nH	V/μs	Amps	A	L	B	H	P	P1	Ød
Un 1200VDC , Urms 500VAC												
FC88-104J1200F27.5	0.1	1200	20	1200	120	5	32	15	25	27.5	-	1.0
FC88-154J1200F27.5	0.15	1200	20	1200	180	6	32	15	25	27.5	-	1.0
FC88-224J1200F27.5	0.22	1200	20	1200	264	9	32	18	33	27.5	-	1.0
FC88-334J1200F27.5	0.33	1200	20	1200	396	10	32	18	33	27.5	-	1.0
FC88-154J1200F37.5	0.15	1200	24	700	105	5	42.5	17	28	37.5	-	1.0
FC88-224J1200F37.5	0.22	1200	24	700	154	6	42.5	17	28	37.5	-	1.0
FC88-334J1200F437.5	0.33	1200	24	700	231	12	42.5	24.5	27.5	37.5	20.3	1.2
FC88-474J1200F437.5	0.47	1200	24	700	329	14	42.5	24.5	27.5	37.5	20.3	1.2
FC88-564J1200F437.5	0.56	1200	24	700	392	15	42.5	24.5	27.5	37.5	20.3	1.2
FC88-684J1200F437.5	0.68	1200	24	700	476	15	42.5	34	36	37.5	20.3	1.2
FC88-824J1200F437.5	0.82	1200	24	700	574	16	42.5	34	36	37.5	20.3	1.2
FC88-105J1200F437.5	1.0	1200	24	700	700	18	42.5	34	36	37.5	20.3	1.2
FC88-125J1200F437.5	1.2	1200	24	700	840	19	42.5	33	45	37.5	20.3	1.2
FC88-155J1200F437.5	1.5	1200	24	700	1050	20	42.5	33	45	37.5	20.3	1.2
FC88-105J1200F452.5	1.0	1200	28	450	450	17	57.5	30	45	52.5	20.3	1.2
FC88-155J1200F452.5	1.5	1200	28	450	675	18	57.5	30	45	52.5	20.3	1.2
FC88-205J1200F452.5	2.0	1200	28	450	900	19	57.5	30	45	52.5	20.3	1.2
FC88-225J1200F452.5	2.2	1200	28	450	990	20	57.5	35	50	52.5	20.3	1.2
FC88-255J1200F452.5	2.5	1200	28	450	1125	21	57.5	35	50	52.5	20.3	1.2
FC88-305J1200F452.5	3.0	1200	28	450	1350	22	57.5	35	50	52.5	20.3	1.2
FC88-405J1200F452.5	4.0	1200	28	450	1800	25	57.5	42.5	56	52.5	20.3	1.2
FC88-455J1200F452.5	4.5	1200	28	450	2025	26	57.5	42.5	56	52.5	20.3	1.2

Part Number	Cn	Un	ESL	dv/dt	I Peak	Irms max.	Dimension (mm)					
	μF	Vdc	nH	V/μs	Amps	A	L	B	H	P	P1	Ød
Un 1600VDC , Urms 600VAC												
FC88-104J1600F37.5	0.1	1600	24	900	90	5	42.5	17	28	37.5	-	1.0
FC88-154J1600F37.5	0.15	1600	24	900	135	6	42.5	17	28	37.5	-	1.0
FC88-224J1600F37.5	0.22	1600	24	900	198	7	42.5	17	28	37.5	-	1.0
FC88-334J1600F437.5	0.33	1600	24	900	297	14	42.5	24.5	27.5	37.5	20.3	1.0
FC88-474J1600F437.5	0.47	1600	24	900	423	15	42.5	34	36	37.5	20.3	1.2
FC88-564J1600F437.5	0.56	1600	24	900	504	16	42.5	34	36	37.5	20.3	1.2
FC88-684J1600F437.5	0.68	1600	24	900	612	17	42.5	34	36	37.5	20.3	1.2
FC88-824J1600F437.5	0.82	1600	24	900	738	18	42.5	34	36	37.5	20.3	1.2
FC88-105J1600F437.5	1.0	1600	24	900	900	20	42.5	33	45	37.5	20.3	1.2
FC88-125J1600F452.5	1.2	1600	28	650	780	21	57.5	30	45	52.5	20.3	1.2
FC88-155J1600F452.5	1.5	1600	28	650	975	22	57.5	35	50	52.5	20.3	1.2
FC88-205J1600F452.5	2.0	1600	28	650	1300	23	57.5	35	50	52.5	20.3	1.2
FC88-225J1600F452.5	2.2	1600	28	650	1430	23	57.5	42.5	56	52.5	20.3	1.2
FC88-255J1600F452.5	2.5	1600	28	650	1625	24	57.5	42.5	56	52.5	20.3	1.2
FC88-285J1600F452.5	2.8	1600	28	650	1820	25	57.5	42.5	56	52.5	20.3	1.2
Un 2000VDC , Urms 650VAC												
FC88-104J2000F37.5	0.1	2000	24	1100	110	5	42.5	17	28	37.5	-	1.0
FC88-154J2000F37.5	0.15	2000	24	1100	165	6	42.5	17	28	37.5	-	1.0
FC88-224J2000F437.5	0.22	2000	24	1100	242	14	42.5	24.5	27.5	37.5	20.3	1.2
FC88-334J2000F437.5	0.33	2000	24	1100	363	15	42.5	24.5	27.5	37.5	20.3	1.2
FC88-474J2000F437.5	0.47	2000	24	1100	517	16	42.5	34	36	37.5	20.3	1.2
FC88-564J2000F437.5	0.56	2000	24	1100	616	17	42.5	34	36	37.5	20.3	1.2
FC88-684J2000F437.5	0.68	2000	24	1100	748	18	42.5	34	36	37.5	20.3	1.2
FC88-824J2000F437.5	0.82	2000	24	1100	902	20	42.5	33	45	37.5	20.3	1.2
FC88-105J2000F452.5	1.0	2000	24	700	700	22	57.5	30	45	52.5	20.3	1.2
FC88-125J2000F452.5	1.2	2000	28	700	840	23	57.5	35	50	52.5	20.3	1.2
FC88-155J2000F452.5	1.5	2000	28	700	1050	24	57.5	35	50	52.5	20.3	1.2
FC88-205J2000F452.5	2.0	2000	28	700	1400	25	57.5	42.5	56	52.5	20.3	1.2

Part Number	Cn	Un	ESL	dv/dt	I Peak	Irms max.	Dimension (mm)					
	μF	Vdc	nH	V/μs	Amps	A	L	B	H	P	P1	Ød
Un 3000VDC , Urms 750VAC												
FC88-103J3000F37.5	0.01	3000	24	1500	15	3	42.5	17	28	37.5	-	1.0
FC88-153J3000F37.5	0.015	3000	24	1500	22.5	4	42.5	17	28	37.5	-	1.0
FC88-223J3000F37.5	0.022	3000	24	1500	33	5	42.5	17	28	37.5	-	1.0
FC88-333J3000F37.5	0.033	3000	24	1500	49.5	6	42.5	17	28	37.5	-	1.0
FC88-473J3000F37.5	0.047	3000	24	1500	70.5	7	42.5	17	28	37.5	-	1.0
FC88-563J3000F37.5	0.056	3000	24	1500	84	8	42.5	17	28	37.5	-	1.0
FC88-683J3000F37.5	0.068	3000	24	1500	102	9	42.5	17	28	37.5	-	1.2
FC88-823J3000F37.5	0.082	3000	24	1500	123	10	42.5	17	28	37.5	-	1.2
FC88-104J3000F437.5	0.1	3000	28	1500	150	13	42.5	24.5	27.5	37.5	20.3	1.2
FC88-154J3000F437.5	0.15	3000	28	1500	225	15	42.5	24.5	27.5	37.5	20.3	1.2
FC88-224J3000F437.5	0.22	3000	28	1500	330	17	42.5	34	36	37.5	20.3	1.2
FC88-334J3000F437.5	0.33	3000	28	1500	495	19	42.5	34	36	37.5	20.3	1.2
FC88-474J3000F437.5	0.47	3000	28	1500	705	21	42.5	33	45	37.5	20.3	1.2
FC88-104J3000F452.5	0.1	3000	32	800	80	11	57.5	30	45	52.5	20.3	1.2
FC88-154J3000F452.5	0.15	3000	32	800	120	13	57.5	30	45	52.5	20.3	1.2
FC88-224J3000F452.5	0.22	3000	32	800	176	15	57.5	30	45	52.5	20.3	1.2
FC88-334J3000F452.5	0.33	3000	32	800	264	18	57.5	30	45	52.5	20.3	1.2
FC88-474J3000F452.5	0.47	3000	32	800	376	20	57.5	30	45	52.5	20.3	1.2
FC88-564J3000F452.5	0.56	3000	32	800	448	22	57.5	35	50	52.5	20.3	1.2
FC88-684J3000F452.5	0.68	3000	32	800	544	23	57.5	35	50	52.5	20.3	1.2
FC88-824J3000F452.5	0.82	3000	32	800	656	24	57.5	42.5	56	52.5	20.3	1.2
FC88-105J3000F452.5	1.0	3000	32	800	800	25	57.5	42.5	56	52.5	20.3	1.2

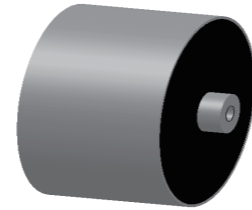
❖ 产品编码定义 (Part Number System)

EX: FC88-474J1200F437.5

FC88	-	474	J	1200	F4	37.5
⋮		⋮	⋮	⋮	⋮	⋮
Series		Capacitance	Tolerance	Voltage	Style	P
		474=0.47μF	J=±5%	VDC	F=2pins	
		105=1.0μF	K=±10%		F4=4pins	

❖ 产品简介 (General Description)

引用标准 (Standard Reference)	IEC 61071 , GB/T 17702
气候类别 (Climatic Category)	40 / 85 / 56
最高使用海拔 (Max . Altitude)	2000 m
介质材料 (Dielectric Material)	金属化聚丙烯膜 (Self-Healing Metallized Polypropylene)
外壳类型 (Case Type)	胶带或塑料外壳 (Polyester tape or Plastic Case, Resin filled, UL94V-0)
引出电极类型 (Terminals Type)	螺杆或螺母端子 (Male or Female screw terminals)
电容量范围 (Capacitance Range)	Cn: 0.01μF ~ 20μF (1kHz , 20℃)
电容量偏差 (Capacitance Tolerance)	J (±5%), K (±10%)
介质损耗角正切值 (Dissipation Factor)	Dielectric Dissipation Factor (tg δ ₀): 0.0002 (1kHz , 20℃)
绝缘电阻 (Insulation Resistance)	IR × Cn : ≥10000s (100Vdc, 60s, 20℃)
额定电压 (Rated Voltage)	Un : 500VDC ~ 10000VDC
极间电压 (Test voltage U _{TT})	U _{TT} : 1.4Un (10s , 20℃) – Test voltage between both terminals
极壳电压 (Test voltage U _{TC})	U _{TC} : 3000Vac (10s , 20℃) – Test voltage between terminals with case
	1.1 × Un : 30% of on-load duration
	1.15 × Un : 30 min/day
过电压能力 (Maximum Over Voltage)	1.2 × Un : 5 min/day
	1.3 × Un : 1 min/day
	1.5 × Un : 30 ms/time, 1000 times during the life of the capacitor
工作温度 (Operating Temperature)	- 40℃ ~ 85℃
工作寿命 (Operation Life Time)	100,000 hours (Un , 70℃), 30,000 hours (Urms , 70℃)
电极扭矩 (Max. Torque of terminals)	M6 Female screw: 3.5 Nm , M8 Female screw: 5.0 Nm
安装扭矩 (Max. Torque of installation)	Installation hole : 3.0 Nm
产品应用 (Applications)	R.C. Snubber Circuit, Protect IGCT/GTO/SCR Components etc..



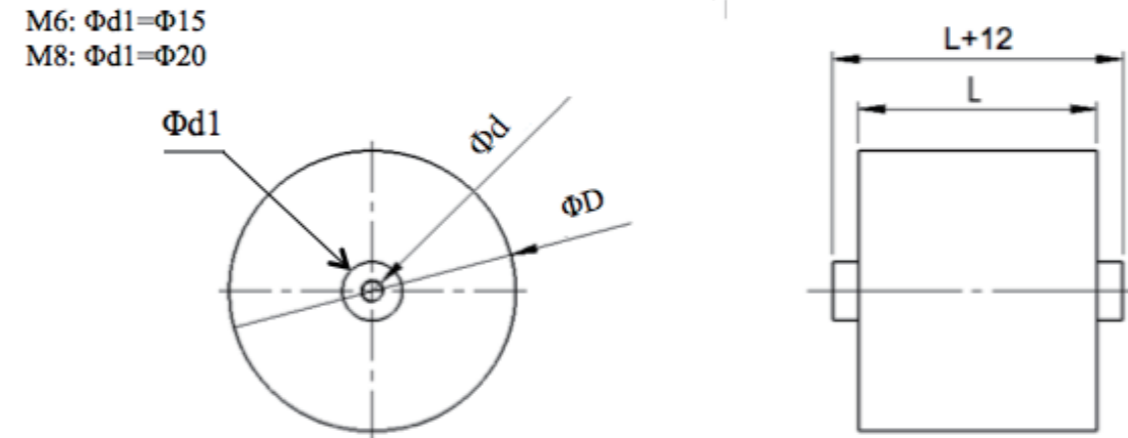
❖ 产品编码定义 (Part Number System)

EX: F C98-105J3000DB75S042

FC98	-	105	J	3000	R	B	75	#	65
⋮	⋮	⋮	⋮	⋮	⋮	⋮	⋮	⋮	⋮
Series	Capacitance	Tolerance	Voltage	Voltage type	Style	L	Style	Diameter	
	105=1.0μF	J=±5%	Un or Urms	D= Vdc, Un	B=M6/M8	Length	S0, S1	ΦD	
	106=10.0μF	K=±10%	Vdc or Vac	R= Vac, Urms	Female Screw				

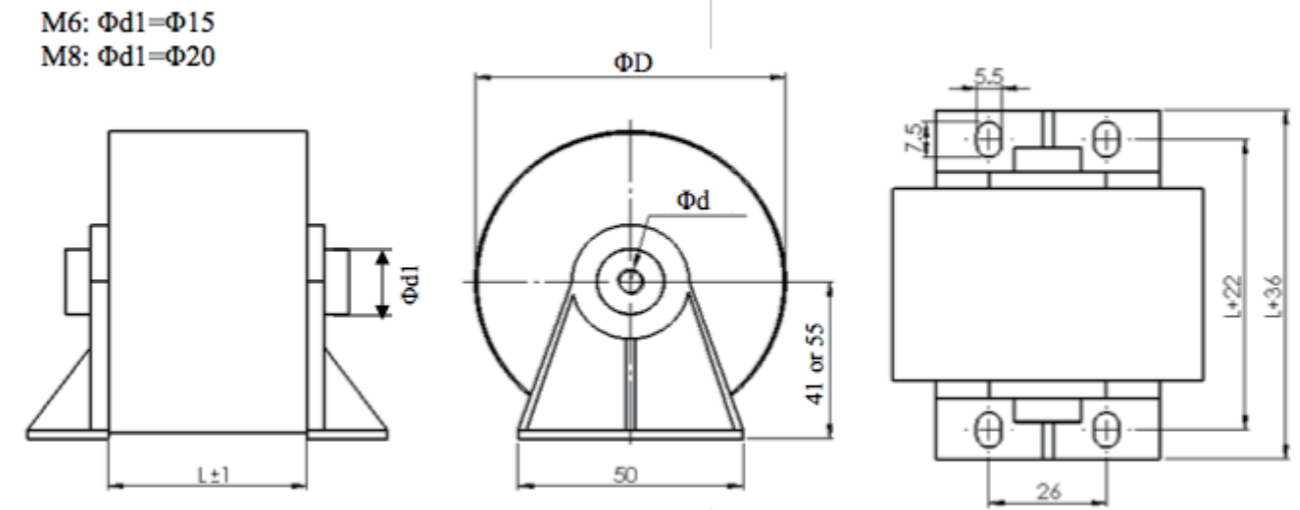
Style B: Female Screw (Output : M6 or M8), Mounting Style: S0

Unit: mm



Style B: Female Screw (Output : M6 or M8), Mounting Style: S1

Unit: mm



❖ 技术参数 (Technical Characteristics)

Part Number	Cn	Un	Vrms	ESL	Irms	dv/dt	I peak	Dimension (mm)		
	μF	Vdc	Vac	nH	Max.	V/μs	Amps	ΦD	L	Φd
Un :3000VDC , Urms : 1200VAC, U _{TT} : 4500VDC										
FC98-105J3000DB75#42	1.0	3000	1200	20	20A	900	900	42	75	M6*10
FC98-155J3000DB75#50	1.5	3000	1200	20	25A	900	1350	50	75	M6*10
FC98-205J3000DB75#58	2.0	3000	1200	20	30A	900	1800	58	75	M6*10
FC98-255J3000DB75#65	2.5	3000	1200	20	35A	900	2250	65	75	M6*10
FC98-305J3000DB75#70	3.0	3000	1200	20	40A	900	2700	70	75	M6*10
FC98-405J3000DB75#81	4.0	3000	1200	20	50A	900	3600	81	75	M8*10
FC98-505J3000DB75#90	5.0	3000	1200	20	60A	900	4500	90	75	M8*10
FC98-605J3000DB75#98	6.0	3000	1200	20	70A	900	5400	98	75	M8*10
FC98-705J3000DB75#105	7.0	3000	1200	20	75A	900	6300	105	75	M8*10
FC98-805J3000DB75#113	8.0	3000	1200	20	80A	900	7200	113	75	M8*10

❖ Technical Datasheet

High Current DC-Link Capacitor for EV/HEV Car of Inverter

Part Number	Cn	Un	Vrms	ESL	Irms	dv/dt	I peak	Dimension (mm)		
	μF	Vdc	Vac	nH	Max.	V/μs	Amps	ΦD	L	Φd
Un : 4500VDC , Urms : 1700VAC, UTT : 6300VDC										
FC98-684J4500DB75#49	0.68	4500	1700	20	25A	1200	816	49	75	M6*10
FC98-105J4500DB75#60	1.0	4500	1700	20	30A	1200	1200	60	75	M6*10
FC98-155J4500DB75#71	1.5	4500	1700	20	35A	1200	1800	71	75	M6*10
FC98-205J4500DB75#82	2.0	4500	1700	20	40A	1200	2400	82	75	M8*10
FC98-255J4500DB75#92	2.5	4500	1700	20	50A	1200	3000	92	75	M8*10
FC98-305J4500DB75#99	3.0	4500	1700	20	60A	1200	3600	99	75	M8*10
FC98-355J4500DB75#107	3.5	4500	1700	20	65A	1200	4200	107	75	M8*10
FC98-405J4500DB75#115	4.0	4500	1700	20	70A	1200	4800	115	75	M8*10
FC98-455J4500DB75#122	4.5	4500	1700	20	80A	1200	5400	122	75	M8*10
FC98-505J4500DB75#128	5.0	4500	1700	20	90A	1200	6000	128	75	M8*10
Un : 5600VDC , Urms : 2200VAC, UTT : 7850VDC										
FC98-684J5600DB112#49	0.68	5600	2200	25	25A	1500	1020	49	112	M6*10
FC98-105J5600DB112#57	1.0	5600	2200	25	30A	1500	1500	57	112	M6*10
FC98-155J5600DB112#68	1.5	5600	2200	25	35A	1500	2250	68	112	M6*10
FC98-205J5600DB112#79	2.0	5600	2200	25	40A	1500	3000	79	112	M6*10
FC98-255J5600DB112#88	2.5	5600	2200	25	50A	1500	3750	88	112	M8*10
FC98-305J5600DB112#96	3.0	5600	2200	25	55A	1500	4500	96	112	M8*10
FC98-355J5600DB112#104	3.5	5600	2200	25	60A	1500	5250	104	112	M8*10
FC98-405J5600DB112#110	4.0	5600	2200	25	65A	1500	6000	110	112	M8*10
FC98-455J5600DB112#117	4.5	5600	2200	25	70A	1500	6750	117	112	M8*10
FC98-505J5600DB112#123	5.0	5600	2200	25	80A	1500	7500	123	112	M8*10
Un : 6500VDC , Urms : 2500VAC, UTT : 9100VDC										
FC98-684J6500DB112#54	0.68	6500	2500	25	25A	1700	1156	54	112	M6*10
FC98-824J6500DB112#57	0.82	6500	2500	25	30A	1700	1394	57	112	M6*10
FC98-105J6500DB112#62	1.0	6500	2500	25	35A	1700	1700	62	112	M6*10
FC98-125J6500DB112#68	1.2	6500	2500	25	40A	1700	2040	68	112	M6*10
FC98-155J6500DB112#76	1.5	6500	2500	25	45A	1700	2550	76	112	M6*10
FC98-205J6500DB112#87	2.0	6500	2500	25	50A	1700	3400	87	112	M8*10
FC98-255J6500DB112#97	2.5	6500	2500	25	55A	1700	4250	97	112	M8*10
FC98-305J6500DB112#106	3.0	6500	2500	25	60A	1700	5100	106	112	M8*10
FC98-355J6500DB112#115	3.5	6500	2500	25	70A	1700	5950	115	112	M8*10
FC98-405J6500DB112#122	4.0	6500	2500	25	80A	1700	6800	122	112	M8*10
Un : 8000VDC , Urms : 2800VAC, UTT : 11200VDC										
FC98-334J8000DB112#46	0.33	8000	2800	25	20A	2000	660	46	112	M6*10
FC98-684J8000DB112#65	0.68	8000	2800	25	30A	2000	1360	65	112	M6*10
FC98-105J8000DB112#75	1.0	8000	2800	25	35A	2000	2000	75	112	M6*10
FC98-125J8000DB112#82	1.2	8000	2800	25	40A	2000	2400	82	112	M8*10
FC98-155J8000DB112#91	1.5	8000	2800	25	50A	2000	3000	91	112	M8*10
FC98-205J8000DB112#105	2.0	8000	2800	25	60A	2000	4000	105	112	M8*10
FC98-305J8000DB112#128	3.0	8000	2800	25	80A	2000	6000	128	112	M6*10

❖ 产品简介 (General Description)

引用标准 (Standard Reference)	IEC 61071 , GB/T 17702
气候类别 (Climatic Category)	40 / 105 / 56
最高使用海拔 (Max . Altitude)	2000 m
介质材料 (Dielectric Material)	金属化聚丙烯膜 (Self-Healing Metallized Polypropylene)
外壳类型 (Case Type)	塑料或铝外壳 (Plastic or Aluminum Case, Resin filled, UL94V-0)
引出电极类型 (Terminals Type)	螺母或母排电级 (Female screw or Flat Copper of terminals)
电容量范围 (Capacitance Range)	Cn: 100μF ~ 10000μF (1kHz , 20°C)
电容量偏差 (Capacitance Tolerance)	J (±5%), K (±10%)
介质损耗角正切值 (Dissipation Factor)	Dielectric Dissipation Factor (tg δ): 0.0002 (1kHz , 20°C)
绝缘电阻 (Insulation Resistance)	IR × Cn : ≥10000s (100Vdc, 60s, 20°C)
额定电压 (Rated Voltage)	Un : 300VDC ~ 2000VDC
极间电压 (Test voltage UTT)	UTT: 1.5Un (10s , 20°C) –Test voltage between both terminals
极壳电压 (Test voltage UTC)	UTC: 4000Vac (10s , 20°C) –Test voltage between terminals with case
	1.1 × Un : 30% of on-load duration
	1.15 × Un : 30 min/day
过电压能力 (Maximum Over Voltage)	1.2 × Un : 5 min/day
	1.3 × Un : 1 min/day
	1.5 × Un : 30 ms/time, 1000 times during the life of the capacitor
	-40°C ~ 105°C [θmax(hotspot)≤105°C]
工作温度 (Operating Temperature)	θhotspot =85°C~105°C:decreasing factor 2.0% per°C for Un (dc)
工作寿命 (Operation Life Time)	100,000 hours (Un , 70°C) , 10,000 hours (Un , 105°C)
电极扭矩 (Max. Torque of terminals)	M6 : 4.5 Nm , M8 : 6.5 Nm
产品应用 (Applications)	Wind/Traction Inverter , EV/HEV Inverter , High frequency power



❖ 技术参数 (Technical Characteristics)

Part Number	Cn	Un	UTT	UTC	ESL	ESR	Irms	dv/dt	I peak	Dimension (mm)
	μF	Vdc	Vdc	Vac	nH	mΩ	Max.	V/μs	Amps	
FCHEV-307K450C	300	450	675	4000	≤ 25	≤ 0.8	80A	4	1200	Outline size on request . Other spec. on request.
FCHEV-507K450C	500	450	675	4000	≤ 25	≤ 0.8	120A	4	2000	
FCHEV-587K450C	580	450	675	4000	≤ 25	≤ 0.8	100A	4	2320	
FCHEV-108K450C	1000	450	675	4000	≤ 25	≤ 0.6	120A	3	3000	
FCHEV-507K600C	500	600	900	4000	≤ 25	≤ 0.8	90A	5	2500	
FCHEV-108K600C	1000	600	900	4000	≤ 25	≤ 0.6	120A	5	5000	
FCHEV-108K900C	1000	900	1350	4000	≤ 25	≤ 0.6	120A	6	6000	
FCHEV-208K900C	2000	900	1350	4000	≤ 25	≤ 0.5	250A	6	12000	